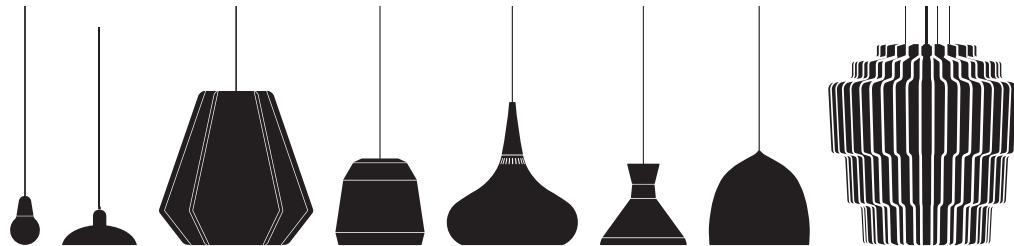
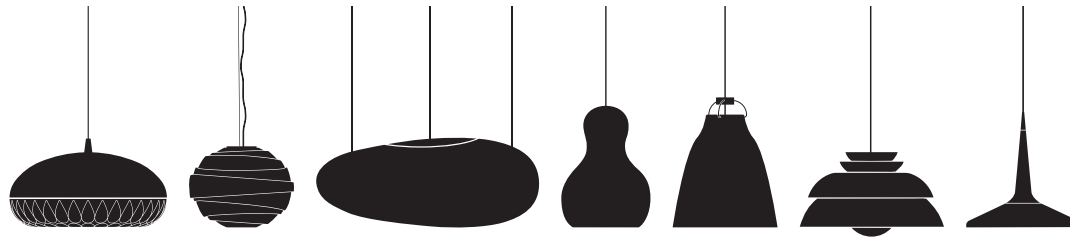


TRACO
DE LUZ

light
years

tabela
2017

www.tracoluz.com
geral@tracoluz.com



PRICE LIST 2017

LIGHTYEARS®

REPUBLIC OF Fritz Hansen®

CONTENTS

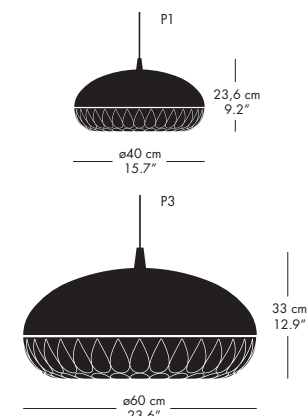
3 LIGHTYEARS LIGHTING COLLECTION

18 SPARE PARTS

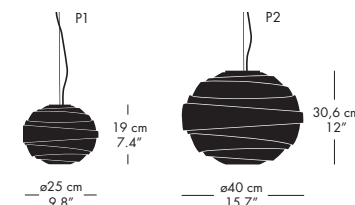
21 LIGHT SOURCE RECOMMENDATIONS

22 SHIPPING FACTS

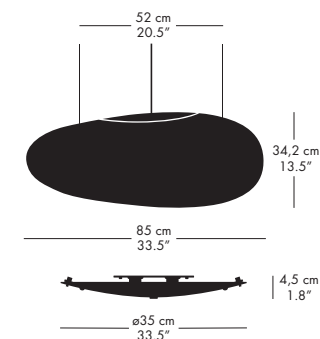
| AEON ROCKET™ DESIGN – MORTEN VOSS 2012 | | | | | DKK | | SEK | | NOK | | GBP | | EURO |
|--|---|--------------|---------------|------------------------------|-----------|-----------|-----------|-----------|-----------|-----------|--------------------|-----------|-----------|
| PRODUCT NAME | DESCRIPTION | PRODUCT CODE | LIGHT SOURCE* | LIGHT SOURCE MAX LENGTH/DIA. | EXCL. VAT | INCL. VAT | EXCL. VAT | INCL. VAT | EXCL. VAT | INCL. VAT | EXCL. VAT | INCL. VAT | EXCL. VAT |
| Pendant 1 grey | Aeon-Grey semi-matt lacquer, grey cord, 3 m | 14185212 | E27 max 77W | 120 / - mm | 2.940,- | 3.675,- | 3.676,- | 4.595,- | 3.860,- | 4.825,- | 345,- | 414,- | 395,- |
| Pendant 1 grey | Aeon-Grey semi-matt lacquer, grey cord, 6 m | 14185412 | E27 max 77W | 120 / - mm | 3.060,- | 3.825,- | 3.836,- | 4.795,- | 4.000,- | 5.000,- | 360,- | 432,- | 412,- |
| Pendant 1 black | Aeon-Black semi-matt lacquer, black cord, 3 m | 14185008 | E27 max 77W | 120 / - mm | 2.940,- | 3.675,- | 3.676,- | 4.595,- | 3.860,- | 4.825,- | 345,- | 414,- | 395,- |
| Pendant 1 black | Aeon-Black semi-matt lacquer, black cord, 6 m | 14185308 | E27 max 77W | 120 / - mm | 3.060,- | 3.825,- | 3.836,- | 4.795,- | 4.000,- | 5.000,- | 360,- | 432,- | 412,- |
| Pendant 3 grey | Aeon-Grey semi-matt lacquer, grey cord, 6 m | 14185912 | E27 max 150W | 190 / - mm | 3.996,- | 4.995,- | 5.000,- | 6.250,- | 5.240,- | 6.550,- | 475,- | 570,- | 548,- |
| Pendant 3 black | Aeon-Black semi-matt lacquer, black cord, 6 m | 14185508 | E27 max 150W | 190 / - mm | 3.996,- | 4.995,- | 5.000,- | 6.250,- | 5.240,- | 6.550,- | 475,- | 570,- | 548,- |
| ENERGY LABEL A++, A+, A, B, C, D | | | | | | | | | | | CE, IP20, Class II | | |



| ATOMHEART™ DESIGN – MORTEN VOSS 2008 | | | | | DKK | | SEK | | NOK | | GBP | | EURO |
|--------------------------------------|--|--------------|---------------|------------------------------|-----------|-----------|-----------|-----------|-----------|-----------|--------------------|-----------|-----------|
| PRODUCT NAME | DESCRIPTION | PRODUCT CODE | LIGHT SOURCE* | LIGHT SOURCE MAX LENGTH/DIA. | EXCL. VAT | INCL. VAT | EXCL. VAT | INCL. VAT | EXCL. VAT | INCL. VAT | EXCL. VAT | INCL. VAT | EXCL. VAT |
| Pendant 1 | White high-gloss lacquer, hand-blown acid treated opal glass, 3 m cord | 84082005 | E14 max 42W | 120 / 46 mm | 2.600,- | 3.250,- | 3.276,- | 4.095,- | 3.436,- | 4.295,- | 307,50 | 369,- | 352,- |
| Pendant 2 | White high-gloss lacquer, hand-blown acid treated opal glass, 3 m cord | 84082105 | E27 max 100W | 200 / 60 mm | 3.676,- | 4.595,- | 4.636,- | 5.795,- | 4.796,- | 5.995,- | 445,- | 534,- | 498,- |
| ENERGY LABEL A++, A+, A, B, C, D | | | | | | | | | | | CE, IP20, Class II | | |

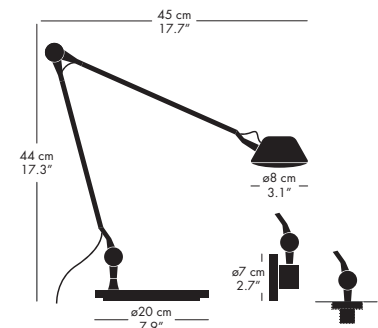


| AVION™ DESIGN – ISKOS-BERLIN 2012 | | | | | DKK | | SEK | | NOK | | GBP | | EURO |
|---|-------------------------------------|--------------|----------------|------------------------------|-----------|-----------|-----------|-----------|-----------|-----------|--------------------|-----------|-----------|
| PRODUCT NAME | DESCRIPTION | PRODUCT CODE | LIGHT SOURCE* | LIGHT SOURCE MAX LENGTH/DIA. | EXCL. VAT | INCL. VAT | EXCL. VAT | INCL. VAT | EXCL. VAT | INCL. VAT | EXCL. VAT | INCL. VAT | EXCL. VAT |
| Pendant - E27 | Polyethylen, white PC/ABS, 6 m cord | 54402705 | E27 max 2x100W | 190 / - mm | 3.596,- | 4.495,- | 4.556,- | 5.695,- | 4.796,- | 5.995,- | 405,- | 486,- | 485,- |
| Pendant - 2x42W | Polyethylen, white PC/ABS, 6 m cord | 54402805 | GX24q-4 2x42W | 167 / 49 mm | 4.476,- | 5.595,- | 5.676,- | 7.095,- | 5.836,- | 7.295,- | 505,- | 606,- | 605,- |
| Pendant - DALI | Polyethylen, white PC/ABS, 6 m cord | 54402905 | GX24q-4 2x42W | 167 / 49 mm | 4.476,- | 5.595,- | 5.676,- | 7.095,- | 5.836,- | 7.295,- | 505,- | 606,- | 605,- |
| Adjustable Canopy | White lacquer | 18615605 | - | - | 1.196,- | 1.495,- | 1.596,- | 1.995,- | 1.676,- | 2.095,- | 135,- | 162,- | 162,- |
| ENERGY LABEL E27 A++, A+, A, B, C, D 2x42W A (ECG: A1 BAT) 2x42W DALI A (ECG: A1) | | | | | | | | | | | CE, IP20, Class II | | |



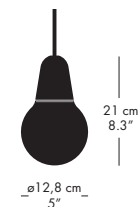
| AQ01™ DESIGN – ANNE QVIST 2014 | | | | DKK | | SEK | | NOK | | GBP | | EURO | |
|--------------------------------|--------------------|--------------|--|---------------------------------|-----------|-----------|-----------|-----------|-----------|-----------|-----------|-----------|-----------|
| PRODUCT NAME | DESCRIPTION | PRODUCT CODE | LIGHT SOURCE* | LIGHT SOURCE MAX LENGTH/DIA. | EXCL. VAT | INCL. VAT | EXCL. VAT | INCL. VAT | EXCL. VAT | INCL. VAT | EXCL. VAT | INCL. VAT | EXCL. VAT |
| Plug-in white | White matt lacquer | 62698505 | 6 X 1W LUMINUS XNOVA3030 (450 MA) 3000 K | - | 2.076,- | 2.595,- | 2.732,- | 3.414,- | 2.501,- | 3.127,- | 250,- | 301,- | 279,- |
| Plug-in black | Black matt lacquer | 62698408 | | - | 2.076,- | 2.595,- | 2.732,- | 3.414,- | 2.501,- | 3.127,- | 250,- | 301,- | 279,- |
| Plug-in blue | Blue matt lacquer | 62698606 | | - | 2.076,- | 2.595,- | 2.732,- | 3.414,- | 2.501,- | 3.127,- | 250,- | 301,- | 279,- |
| Table base white | White matt lacquer | 18623305 | | - | 412,- | 515,- | 542,- | 678,- | 496,- | 620,- | 50,- | 60,- | 55,- |
| Table base black | Black matt lacquer | 18623208 | | - | 412,- | 515,- | 542,- | 678,- | 496,- | 620,- | 50,- | 60,- | 55,- |
| Table base blue | Blue matt lacquer | 18623406 | | - | 412,- | 515,- | 542,- | 678,- | 496,- | 620,- | 50,- | 60,- | 55,- |
| Wall base white | White matt lacquer | 18623005 | | - | 176,- | 220,- | 232,- | 289,- | 212,- | 265,- | 21,- | 25,- | 24,- |
| Wall base black | Black matt lacquer | 18642908 | | - | 176,- | 220,- | 232,- | 289,- | 212,- | 265,- | 21,- | 25,- | 24,- |
| Wall base blue | Blue matt lacquer | 18623106 | | - | 176,- | 220,- | 232,- | 289,- | 212,- | 265,- | 21,- | 25,- | 24,- |

ENERGY LABEL Built-in Light Emitting Diode, A+ CE, IP20, Class II

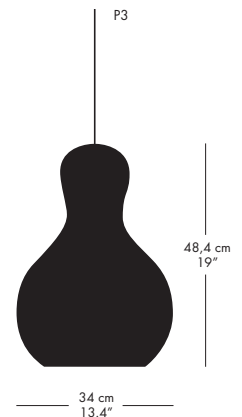
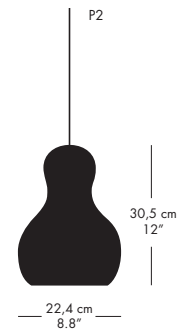
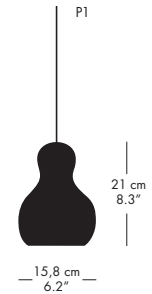


| BULB FICTION™ DESIGN – KIBISI 2012 | | | | DKK | | SEK | | NOK | | GBP | | EURO | |
|------------------------------------|---|--------------|---------------|---------------------------------|-----------|-----------|-----------|-----------|-----------|-----------|-----------|-----------|-----------|
| PRODUCT NAME | DESCRIPTION | PRODUCT CODE | LIGHT SOURCE* | LIGHT SOURCE MAX LENGTH/DIA. | EXCL. VAT | INCL. VAT | EXCL. VAT | INCL. VAT | EXCL. VAT | INCL. VAT | EXCL. VAT | INCL. VAT | EXCL. VAT |
| Pendant 1 | White lacquer, hand-blown acid treated opal glass, 3 m cord | 24195505 | E27 max 42W | 160 / 58 mm | 956,- | 1.195,- | 1.196,- | 1.495,- | 1.260,- | 1.575,- | 112,50 | 135,- | 129,- |
| Pendant 1 | White lacquer, hand-blown acid treated opal glass, 6 m cord | 24195605 | E27 max 42W | 160 / 58 mm | 1.076,- | 1.345,- | 1.356,- | 1.695,- | 1.420,- | 1.775,- | 127,50 | 153,- | 147,- |

ENERGY LABEL A++, A+, A, B, C, D CE, IP20, Class II



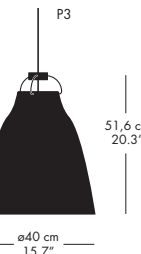
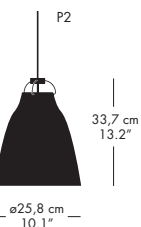
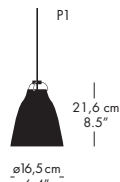
| CALABASH™ DESIGN – KOMPLOTT DESIGN 2010 | | | | | DKK | | SEK | | NOK | | GBP | | EURO |
|---|--------------------------------|--------------|---------------|------------------------------|-----------|-----------|-----------|-----------|-----------|-----------|-----------|-----------|-----------|
| PRODUCT NAME | DESCRIPTION | PRODUCT CODE | LIGHT SOURCE* | LIGHT SOURCE MAX LENGTH/DIA. | EXCL. VAT | INCL. VAT | EXCL. VAT | INCL. VAT | EXCL. VAT | INCL. VAT | EXCL. VAT | INCL. VAT | EXCL. VAT |
| Pendant 1 black | Black chrome, black cord, 3 m | 14017008 | E27 max 30W | 100 / 90 mm | 1.516,- | 1.895,- | 1.916,- | 2.395,- | 1.996,- | 2.495,- | 172,50 | 207,- | 205,- |
| Pendant 1 black | Black chrome, black cord, 6 m | 14021008 | E27 max 30W | 100 / 90 mm | 1.636,- | 2.045,- | 2.076,- | 2.595,- | 2.156,- | 2.695,- | 185,- | 222,- | 223,- |
| Pendant 1 silver | Silver chrome, black cord, 3 m | 14017172 | E27 max 30W | 100 / 90 mm | 1.516,- | 1.895,- | 1.916,- | 2.395,- | 1.996,- | 2.495,- | 172,50 | 207,- | 205,- |
| Pendant 1 silver | Silver chrome, black cord, 6 m | 14021172 | E27 max 30W | 100 / 90 mm | 1.636,- | 2.045,- | 2.076,- | 2.595,- | 2.156,- | 2.695,- | 185,- | 222,- | 223,- |
| Pendant 1 gold | Gold chrome, black cord, 3 m | 14017274 | E27 max 30W | 100 / 90 mm | 1.516,- | 1.895,- | 1.916,- | 2.395,- | 1.996,- | 2.495,- | 172,50 | 207,- | 205,- |
| Pendant 1 gold | Gold chrome, black cord, 6 m | 14021274 | E27 max 30W | 100 / 90 mm | 1.636,- | 2.045,- | 2.076,- | 2.595,- | 2.156,- | 2.695,- | 185,- | 222,- | 223,- |
| Pendant 1 red | Red chrome, black cord, 3 m | 14017301 | E27 max 30W | 100 / 90 mm | 1.516,- | 1.895,- | 1.916,- | 2.395,- | 1.996,- | 2.495,- | 172,50 | 207,- | 205,- |
| Pendant 1 red | Red chrome, black cord, 6 m | 14021301 | E27 max 30W | 100 / 90 mm | 1.636,- | 2.045,- | 2.076,- | 2.595,- | 2.156,- | 2.695,- | 185,- | 222,- | 223,- |
| Pendant 2 black | Black chrome, black cord, 3 m | 14018008 | E27 max 46W | 130 / 130 mm | 2.120,- | 2.650,- | 2.680,- | 3.350,- | 2.796,- | 3.495,- | 242,50 | 291,- | 285,- |
| Pendant 2 black | Black chrome, black cord, 6 m | 14022008 | E27 max 46W | 130 / 130 mm | 2.240,- | 2.800,- | 2.840,- | 3.550,- | 2.956,- | 3.695,- | 257,50 | 309,- | 303,- |
| Pendant 2 silver | Silver chrome, black cord, 3 m | 14018172 | E27 max 46W | 130 / 130 mm | 2.120,- | 2.650,- | 2.680,- | 3.350,- | 2.796,- | 3.495,- | 242,50 | 291,- | 285,- |
| Pendant 2 silver | Silver chrome, black cord, 6 m | 14022172 | E27 max 46W | 130 / 130 mm | 2.240,- | 2.800,- | 2.840,- | 3.550,- | 2.956,- | 3.695,- | 257,50 | 309,- | 303,- |
| Pendant 2 gold | Gold chrome, black cord, 3 m | 14018274 | E27 max 46W | 130 / 130 mm | 2.120,- | 2.650,- | 2.680,- | 3.350,- | 2.796,- | 3.495,- | 242,50 | 291,- | 285,- |
| Pendant 2 gold | Gold chrome, black cord, 6 m | 14022274 | E27 max 46W | 130 / 130 mm | 2.240,- | 2.800,- | 2.840,- | 3.550,- | 2.956,- | 3.695,- | 257,50 | 309,- | 303,- |
| Pendant 2 red | Red chrome, black cord, 3 m | 14018301 | E27 max 46W | 130 / 130 mm | 2.120,- | 2.650,- | 2.680,- | 3.350,- | 2.796,- | 3.495,- | 242,50 | 291,- | 285,- |
| Pendant 2 red | Red chrome, black cord, 6 m | 14022301 | E27 max 46W | 130 / 130 mm | 2.240,- | 2.800,- | 2.840,- | 3.550,- | 2.956,- | 3.695,- | 257,50 | 309,- | 303,- |
| Pendant 3 black | Black chrome, black cord, 3 m | 14019008 | E27 max 100W | 220 / 160 mm | 3.756,- | 4.695,- | 4.716,- | 5.895,- | 4.956,- | 6.195,- | 435,- | 522,- | 506,- |
| Pendant 3 black | Black chrome, black cord, 6 m | 14023008 | E27 max 100W | 220 / 160 mm | 3.876,- | 4.845,- | 4.876,- | 6.095,- | 5.116,- | 6.395,- | 447,50 | 537,- | 524,- |
| Pendant 3 silver | Silver chrome, black cord, 3 m | 14019172 | E27 max 100W | 220 / 160 mm | 3.756,- | 4.695,- | 4.716,- | 5.895,- | 4.956,- | 6.195,- | 435,- | 522,- | 506,- |
| Pendant 3 silver | Silver chrome, black cord, 6 m | 14023172 | E27 max 100W | 220 / 160 mm | 3.876,- | 4.845,- | 4.876,- | 6.095,- | 5.116,- | 6.395,- | 447,50 | 537,- | 524,- |
| Pendant 3 gold | Gold chrome, black cord, 3 m | 14019274 | E27 max 100W | 220 / 160 mm | 3.756,- | 4.695,- | 4.716,- | 5.895,- | 4.956,- | 6.195,- | 435,- | 522,- | 506,- |
| Pendant 3 gold | Gold chrome, black cord, 6 m | 14023274 | E27 max 100W | 220 / 160 mm | 3.876,- | 4.845,- | 4.876,- | 6.095,- | 5.116,- | 6.395,- | 447,50 | 537,- | 524,- |
| Pendant 3 red | Red chrome, black cord, 3 m | 14019301 | E27 max 100W | 220 / 160 mm | 3.756,- | 4.695,- | 4.716,- | 5.895,- | 4.956,- | 6.195,- | 435,- | 522,- | 506,- |
| Pendant 3 red | Red chrome, black cord, 6 m | 14023301 | E27 max 100W | 220 / 160 mm | 3.876,- | 4.845,- | 4.876,- | 6.095,- | 5.116,- | 6.395,- | 447,50 | 537,- | 524,- |



ENERGY LABEL A++, A+, A, B, C, D

CE, IP20, Class II

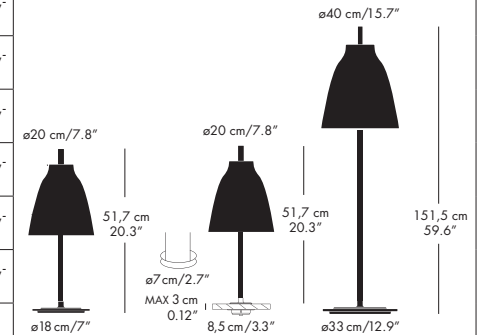
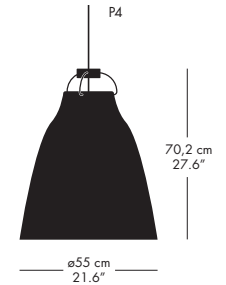
| CARAVAGGIO™ DESIGN – CECILIE MANZ 2005 | | | | | DKK | | SEK | | NOK | | GBP | | EURO |
|--|--|--------------|---------------|------------------------------|-----------|-----------|-----------|-----------|-----------|-----------|-----------|-----------|-----------|
| PRODUCT NAME | DESCRIPTION | PRODUCT CODE | LIGHT SOURCE* | LIGHT SOURCE MAX LENGTH/DIA. | EXCL. VAT | INCL. VAT | EXCL. VAT | INCL. VAT | EXCL. VAT | INCL. VAT | EXCL. VAT | INCL. VAT | EXCL. VAT |
| Pendant 0 white | White high-gloss lacquer, grey cord, 3 m | 74006605 | G9 max 33W | 70 / 40 mm | 1.000,- | 1.250,- | 1.260,- | 1.575,- | 1.300,- | 1.625,- | 112,50 | 135,- | 134,- |
| Pendant 0 black | Black high-gloss lacquer, red cord, 3 m | 74006508 | G9 max 33W | 70 / 40 mm | 1.000,- | 1.250,- | 1.260,- | 1.575,- | 1.300,- | 1.625,- | 112,50 | 135,- | 134,- |
| Pendant 0 blackblack | Black high-gloss lacquer, black-chrome suspension, black cord, 3 m | 54007508 | G9 max 33W | 70 / 40 mm | 1.000,- | 1.250,- | 1.260,- | 1.575,- | 1.300,- | 1.625,- | 112,50 | 135,- | 134,- |
| Pendant 1 white | White high-gloss lacquer, grey cord, 3 m | 54006905 | E27 max 46W | 110 / 60 mm | 1.436,- | 1.795,- | 1.800,- | 2.250,- | 1.880,- | 2.350,- | 162,50 | 195,- | 195,- |
| Pendant 1 white | White high-gloss lacquer, grey cord, 6 m | 54007305 | E27 max 46W | 110 / 60 mm | 1.556,- | 1.945,- | 1.960,- | 2.450,- | 2.040,- | 2.550,- | 175,- | 210,- | 213,- |
| Pendant 1 black | Black high-gloss lacquer, red cord, 3 m | 54006708 | E27 max 46W | 110 / 60 mm | 1.436,- | 1.795,- | 1.800,- | 2.250,- | 1.880,- | 2.350,- | 162,50 | 195,- | 195,- |
| Pendant 1 black | Black high-gloss lacquer, red cord, 6 m | 54007108 | E27 max 46W | 110 / 60 mm | 1.556,- | 1.945,- | 1.960,- | 2.450,- | 2.040,- | 2.550,- | 175,- | 210,- | 213,- |
| Pendant 1 blackblack | Black high-gloss lacquer, black-chrome suspension, black cord, 3 m | 54007608 | E27 max 46W | 110 / 60 mm | 1.436,- | 1.795,- | 1.800,- | 2.250,- | 1.880,- | 2.350,- | 162,50 | 195,- | 195,- |
| Pendant 1 blackblack | Black high-gloss lacquer, black-chrome suspension, black cord, 6 m | 54020008 | E27 max 46W | 110 / 60 mm | 1.556,- | 1.945,- | 1.960,- | 2.450,- | 2.040,- | 2.550,- | 175,- | 210,- | 213,- |
| Pendant 2 white | White high-gloss lacquer, grey cord, 3 m | 54007005 | E27 max 100W | 160 / 100 mm | 1.996,- | 2.495,- | 2.520,- | 3.150,- | 2.620,- | 3.275,- | 232,50 | 279,- | 272,- |
| Pendant 2 white | White high-gloss lacquer, grey cord, 6 m | 54007405 | E27 max 100W | 160 / 100 mm | 2.116,- | 2.645,- | 2.680,- | 3.350,- | 2.780,- | 3.475,- | 247,50 | 297,- | 290,- |
| Pendant 2 black | Black high-gloss lacquer, red cord, 3 m | 54006808 | E27 max 100W | 160 / 100 mm | 1.996,- | 2.495,- | 2.520,- | 3.150,- | 2.620,- | 3.275,- | 232,50 | 279,- | 272,- |
| Pendant 2 black | Black high-gloss lacquer, red cord, 6 m | 54007208 | E27 max 100W | 160 / 100 mm | 2.116,- | 2.645,- | 2.680,- | 3.350,- | 2.780,- | 3.475,- | 247,50 | 297,- | 290,- |
| Pendant 2 blackblack | Black high-gloss lacquer, black-chrome suspension, black cord, 3 m | 54007708 | E27 max 100W | 160 / 100 mm | 1.996,- | 2.495,- | 2.520,- | 3.150,- | 2.620,- | 3.275,- | 232,50 | 279,- | 272,- |
| Pendant 2 blackblack | Black high-gloss lacquer, black-chrome suspension, black cord, 6 m | 54020108 | E27 max 100W | 160 / 100 mm | 2.116,- | 2.645,- | 2.680,- | 3.350,- | 2.780,- | 3.475,- | 247,50 | 297,- | 290,- |
| Pendant 3 white | White high-gloss lacquer, grey cord, 3 m | 74009505 | E27 max 100W | 250 / 100 mm | 3.516,- | 4.395,- | 4.396,- | 5.495,- | 4.620,- | 5.775,- | 405,- | 486,- | 474,- |
| Pendant 3 white | White high-gloss lacquer, grey cord, 6 m | 74009705 | E27 max 100W | 250 / 100 mm | 3.636,- | 4.545,- | 4.556,- | 5.695,- | 4.780,- | 5.975,- | 417,50 | 501,- | 492,- |
| Pendant 3 black | Black high-gloss lacquer, red cord, 3 m | 74009408 | E27 max 100W | 250 / 100 mm | 3.516,- | 4.395,- | 4.396,- | 5.495,- | 4.620,- | 5.775,- | 405,- | 486,- | 474,- |
| Pendant 3 black | Black high-gloss lacquer, red cord, 6 m | 74009608 | E27 max 100W | 250 / 100 mm | 3.636,- | 4.545,- | 4.556,- | 5.695,- | 4.780,- | 5.975,- | 417,50 | 501,- | 492,- |
| Pendant 3 blackblack | Black high-gloss lacquer, black-chrome suspension, black cord, 3 m | 54007808 | E27 max 100W | 250 / 100 mm | 3.516,- | 4.395,- | 4.396,- | 5.495,- | 4.620,- | 5.775,- | 405,- | 486,- | 474,- |
| Pendant 3 blackblack | Black high-gloss lacquer, black-chrome suspension, black cord, 6 m | 54020208 | E27 max 100W | 250 / 100 mm | 3.636,- | 4.545,- | 4.556,- | 5.695,- | 4.780,- | 5.975,- | 417,50 | 501,- | 492,- |



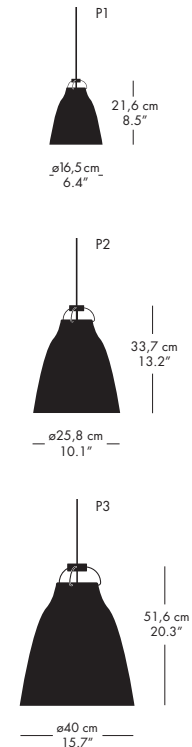
ENERGY LABEL P0 A+, A, D P1-P3 E27 A++, A+, A, B, C, D

CE, IP20, Class II

| CARAVAGGIO™ DESIGN – CECILIE MANZ 2005 | | | | | DKK | | SEK | | NOK | | GBP | | EURO |
|--|--|--------------|---------------|------------------------------|-----------|-----------|-----------|-----------|-----------|-----------|--------------------|-----------|-----------|
| PRODUCT NAME | DESCRIPTION | PRODUCT CODE | LIGHT SOURCE* | LIGHT SOURCE MAX LENGTH/DIA. | EXCL. VAT | INCL. VAT | EXCL. VAT | INCL. VAT | EXCL. VAT | INCL. VAT | EXCL. VAT | INCL. VAT | EXCL. VAT |
| Pendant 4 - E27 white | White high-gloss lacquer, grey cord, 6 m | 54008705 | E27 max 150W | 300 / 100 mm | 4.556,- | 5.695,- | 5.720,- | 7.150,- | 5.980,- | 7.475,- | 525,- | 630,- | 615,- |
| Pendant 4 - E27 black | Black high-gloss lacquer, red cord, 6 m | 54008608 | E27 max 150W | 300 / 100 mm | 4.556,- | 5.695,- | 5.720,- | 7.150,- | 5.980,- | 7.475,- | 525,- | 630,- | 615,- |
| Pendant 4 - E27 blackblack | Black high-gloss lacquer, black-chrome suspension, black cord, 6 m | 54007908 | E27 max 150W | 300 / 100 mm | 4.556,- | 5.695,- | 5.720,- | 7.150,- | 5.980,- | 7.475,- | 525,- | 630,- | 615,- |
| Pendant 4 - 2x42W white | White high-gloss lacquer, grey cord, 6 m | 64009105 | GX24q-4 2x42W | 300 / 100 mm | 5.356,- | 6.695,- | 6.700,- | 8.375,- | 7.020,- | 8.775,- | 627,50 | 753,- | 725,- |
| Pendant 4 - 2x42W black | Black high-gloss lacquer, red cord, 6 m | 64009008 | GX24q-4 2x42W | 300 / 100 mm | 5.356,- | 6.695,- | 6.700,- | 8.375,- | 7.020,- | 8.775,- | 627,50 | 753,- | 725,- |
| Pendant 4 - DALI white | White high-gloss lacquer, grey cord, 6 m | 34020605 | GX24q-4 2x42W | 300 / 100 mm | 5.356,- | 6.695,- | 6.700,- | 8.375,- | 7.020,- | 8.775,- | 627,50 | 753,- | 725,- |
| Pendant 4 - DALI black | Black high-gloss lacquer, red cord, 6 m | 34020508 | GX24q-4 2x42W | 300 / 100 mm | 5.356,- | 6.695,- | 6.700,- | 8.375,- | 7.020,- | 8.775,- | 627,50 | 753,- | 725,- |
| Table white | White high-gloss, matt lacquer | 82081305 | E27 max 46W | 113 / 61 mm | 2.796,- | 3.495,- | 3.500,- | 4.375,- | 3.660,- | 4.575,- | 322,50 | 387,- | 378,- |
| Table black | Black high-gloss, matt lacquer | 82081008 | E27 max 46W | 113 / 61 mm | 2.796,- | 3.495,- | 3.500,- | 4.375,- | 3.660,- | 4.575,- | 322,50 | 387,- | 378,- |
| Table plug-in white | White high-gloss, matt lacquer | 82081405 | E27 max 46W | 113 / 61 mm | 2.796,- | 3.495,- | 3.500,- | 4.375,- | 3.660,- | 4.575,- | 322,50 | 387,- | 378,- |
| Table plug-in black | Black high-gloss, matt lacquer | 82081108 | E27 max 46W | 113 / 61 mm | 2.796,- | 3.495,- | 3.500,- | 4.375,- | 3.660,- | 4.575,- | 322,50 | 387,- | 378,- |
| Floor white | White high-gloss, matt lacquer | 81081505 | E27 max 150W | 225 / 80 mm | 5.196,- | 6.495,- | 6.520,- | 8.150,- | 6.820,- | 8.525,- | 607,50 | 729,- | 700,- |
| Floor black | Black high-gloss, matt lacquer | 81081208 | E27 max 150W | 225 / 80 mm | 5.196,- | 6.495,- | 6.520,- | 8.150,- | 6.820,- | 8.525,- | 607,50 | 729,- | 700,- |
| ENERGY LABEL P4 E27 A++, A+, A, B, C, D P4 2x42W A (ECG: A1 BAT) P4 2x42W DALI A (ECG: A1) T + F A++, A+, A, B, C, D | | | | | | | | | | | CE, IP20, Class II | | |



| CARAVAGGIO MATT™ DESIGN – CECILIE MANZ 2005 | | | | | DKK | | SEK | | NOK | | GBP | | EURO |
|---|---|--------------|---------------|------------------------------|-----------|-----------|-----------|-----------|-----------|-----------|-----------|-----------|-----------|
| PRODUCT NAME | DESCRIPTION | PRODUCT CODE | LIGHT SOURCE* | LIGHT SOURCE MAX LENGTH/DIA. | EXCL. VAT | INCL. VAT | EXCL. VAT | INCL. VAT | EXCL. VAT | INCL. VAT | EXCL. VAT | INCL. VAT | EXCL. VAT |
| Pendant 1 white | White matt lacquer, white cord, 3 m | 14031113 | E27 max 46W | 110 / 60 mm | 1.436,- | 1.795,- | 1.800,- | 2.250,- | 1.880,- | 2.350,- | 162,50 | 195,- | 195,- |
| Pendant 1 white | White matt lacquer, white cord, 6 m | 14032013 | E27 max 46W | 110 / 60 mm | 1.556,- | 1.945,- | 1.960,- | 2.450,- | 2.040,- | 2.550,- | 175,- | 210,- | 213,- |
| Pendant 1 grey25 | Light grey matt lacquer, light grey cord, 3 m | 14033112 | E27 max 46W | 110 / 60 mm | 1.436,- | 1.795,- | 1.800,- | 2.250,- | 1.880,- | 2.350,- | 162,50 | 195,- | 195,- |
| Pendant 1 grey25 | Light grey matt lacquer, light grey cord, 6 m | 14034012 | E27 max 46W | 110 / 60 mm | 1.556,- | 1.945,- | 1.960,- | 2.450,- | 2.040,- | 2.550,- | 175,- | 210,- | 213,- |
| Pendant 1 grey45 | Dark grey matt lacquer, grey cord, 3 m | 14035112 | E27 max 46W | 110 / 60 mm | 1.436,- | 1.795,- | 1.800,- | 2.250,- | 1.880,- | 2.350,- | 162,50 | 195,- | 195,- |
| Pendant 1 grey45 | Dark grey matt lacquer, grey cord, 6 m | 14036012 | E27 max 46W | 110 / 60 mm | 1.556,- | 1.945,- | 1.960,- | 2.450,- | 2.040,- | 2.550,- | 175,- | 210,- | 213,- |
| Pendant 1 black | Black matt lacquer, grey cord, 3 m | 14037108 | E27 max 46W | 110 / 60 mm | 1.436,- | 1.795,- | 1.800,- | 2.250,- | 1.880,- | 2.350,- | 162,50 | 195,- | 195,- |
| Pendant 1 black | Black matt lacquer, grey cord, 6 m | 14038008 | E27 max 46W | 110 / 60 mm | 1.556,- | 1.945,- | 1.960,- | 2.450,- | 2.040,- | 2.550,- | 175,- | 210,- | 213,- |
| Pendant 2 white | White matt lacquer, white cord, 3 m | 14031213 | E27 max 100W | 160 / 100 mm | 1.996,- | 2.495,- | 2.520,- | 3.150,- | 2.620,- | 3.275,- | 232,50 | 279,- | 272,- |
| Pendant 2 white | White matt lacquer, white cord, 6 m | 14032113 | E27 max 100W | 160 / 100 mm | 2.116,- | 2.645,- | 2.680,- | 3.350,- | 2.780,- | 3.475,- | 247,50 | 297,- | 290,- |
| Pendant 2 grey25 | Light grey matt lacquer, light grey cord, 3 m | 14033212 | E27 max 100W | 160 / 100 mm | 1.996,- | 2.495,- | 2.520,- | 3.150,- | 2.620,- | 3.275,- | 232,50 | 279,- | 272,- |
| Pendant 2 grey25 | Light grey matt lacquer, light grey cord, 6 m | 14034112 | E27 max 100W | 160 / 100 mm | 2.116,- | 2.645,- | 2.680,- | 3.350,- | 2.780,- | 3.475,- | 247,50 | 297,- | 290,- |
| Pendant 2 grey45 | Dark grey matt lacquer, grey cord, 3 m | 14035212 | E27 max 100W | 160 / 100 mm | 1.996,- | 2.495,- | 2.520,- | 3.150,- | 2.620,- | 3.275,- | 232,50 | 279,- | 272,- |
| Pendant 2 grey45 | Dark grey matt lacquer, grey cord, 6 m | 14036112 | E27 max 100W | 160 / 100 mm | 2.116,- | 2.645,- | 2.680,- | 3.350,- | 2.780,- | 3.475,- | 247,50 | 297,- | 290,- |
| Pendant 2 black | Black matt lacquer, grey cord, 3 m | 14037208 | E27 max 100W | 160 / 100 mm | 1.996,- | 2.495,- | 2.520,- | 3.150,- | 2.620,- | 3.275,- | 232,50 | 279,- | 272,- |
| Pendant 2 black | Black matt lacquer, grey cord, 6 m | 14038108 | E27 max 100W | 160 / 100 mm | 2.116,- | 2.645,- | 2.680,- | 3.350,- | 2.780,- | 3.475,- | 247,50 | 297,- | 290,- |
| Pendant 3 white | White matt lacquer, white cord, 3 m | 14031313 | E27 max 100W | 250 / 100 mm | 3.516,- | 4.395,- | 4.396,- | 5.495,- | 4.620,- | 5.775,- | 405,- | 486,- | 474,- |
| Pendant 3 white | White matt lacquer, white cord, 6 m | 14032213 | E27 max 100W | 250 / 100 mm | 3.636,- | 4.545,- | 4.556,- | 5.695,- | 4.780,- | 5.975,- | 417,50 | 501,- | 492,- |
| Pendant 3 grey25 | Light grey matt lacquer, light grey cord, 3 m | 14033312 | E27 max 100W | 250 / 100 mm | 3.516,- | 4.395,- | 4.396,- | 5.495,- | 4.620,- | 5.775,- | 405,- | 486,- | 474,- |
| Pendant 3 grey25 | Light grey matt lacquer, light grey cord, 6 m | 14034212 | E27 max 100W | 250 / 100 mm | 3.636,- | 4.545,- | 4.556,- | 5.695,- | 4.780,- | 5.975,- | 417,50 | 501,- | 492,- |
| Pendant 3 grey45 | Dark grey matt lacquer, grey cord, 3 m | 14035312 | E27 max 100W | 250 / 100 mm | 3.516,- | 4.395,- | 4.396,- | 5.495,- | 4.620,- | 5.775,- | 405,- | 486,- | 474,- |
| Pendant 3 grey45 | Dark grey matt lacquer, grey cord, 6 m | 14036212 | E27 max 100W | 250 / 100 mm | 3.636,- | 4.545,- | 4.556,- | 5.695,- | 4.780,- | 5.975,- | 417,50 | 501,- | 492,- |
| Pendant 3 black | Black matt lacquer, grey cord, 3 m | 14037308 | E27 max 100W | 250 / 100 mm | 3.516,- | 4.395,- | 4.396,- | 5.495,- | 4.620,- | 5.775,- | 405,- | 486,- | 474,- |
| Pendant 3 black | Black matt lacquer, grey cord, 6 m | 14038208 | E27 max 100W | 250 / 100 mm | 3.636,- | 4.545,- | 4.556,- | 5.695,- | 4.780,- | 5.975,- | 417,50 | 501,- | 492,- |

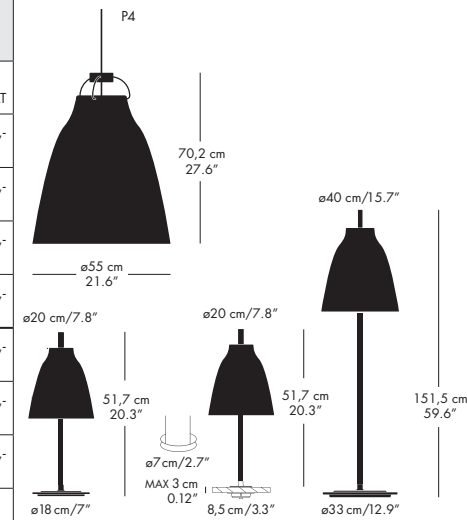


ENERGY LABEL A++, A+, A, B, C, D

CE, IP20, Class II

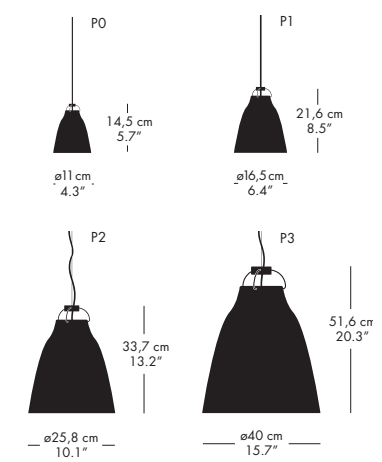
| CARAVAGGIO MATT™ DESIGN – CECILIE MANZ 2011 | | | | | DKK | | SEK | | NOK | | GBP | | EURO |
|---|---------------------------------------|--------------|---------------|------------------------------|-----------|-----------|-----------|-----------|-----------|-----------|-----------|-----------|-----------|
| PRODUCT NAME | DESCRIPTION | PRODUCT CODE | LIGHT SOURCE* | LIGHT SOURCE MAX LENGTH/DIA. | EXCL. VAT | INCL. VAT | EXCL. VAT | INCL. VAT | EXCL. VAT | INCL. VAT | EXCL. VAT | INCL. VAT | EXCL. VAT |
| Pendant 4 - E27 white | Matt white, white cord, 6 m | 14031413 | E27 max 150W | 300 / 100 mm | 4.556,- | 5.695,- | 5.720,- | 7.150,- | 5.980,- | 7.475,- | 525,- | 630,- | 615,- |
| Pendant 4 - E27 grey25 | Matt light grey, light grey cord, 6 m | 14033412 | E27 max 150W | 300 / 100 mm | 4.556,- | 5.695,- | 5.720,- | 7.150,- | 5.980,- | 7.475,- | 525,- | 630,- | 615,- |
| Pendant 4 - E27 grey45 | Matt dark grey, grey cord, 6 m | 14035412 | E27 max 150W | 300 / 100 mm | 4.556,- | 5.695,- | 5.720,- | 7.150,- | 5.980,- | 7.475,- | 525,- | 630,- | 615,- |
| Pendant 4 - E27 black | Matt black lacquer, grey cord, 6 m | 14037408 | E27 max 150W | 300 / 100 mm | 4.556,- | 5.695,- | 5.720,- | 7.150,- | 5.980,- | 7.475,- | 525,- | 630,- | 615,- |
| Table grey25 | Grey25 matt lacquer | 52403112 | E27 max 46W | 113 / 60 mm | 2.796,- | 3.495,- | 3.500,- | 4.375,- | 3.660,- | 4.575,- | 322,50 | 387,- | 378,- |
| Table plug-in grey25 | Grey25 matt lacquer | 52403712 | E27 max 46W | 113 / 60 mm | 2.796,- | 3.495,- | 3.500,- | 4.375,- | 3.660,- | 4.575,- | 322,50 | 387,- | 378,- |
| Floor grey25 | Grey25 matt lacquer | 51403012 | E27 max 150W | 225 / 80 mm | 5.196,- | 6.495,- | 6.520,- | 8.150,- | 6.820,- | 8.525,- | 607,50 | 729,- | 700,- |

ENERGY LABEL A++, A+, A, B, C, D CE, IP20, Class II

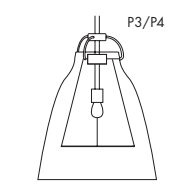


| CARAVAGGIO OPAL™ DESIGN – CECILIE MANZ 2005 | | | | | DKK | | SEK | | NOK | | GBP | | EURO |
|---|--|--------------|---------------|------------------------------|-----------|-----------|-----------|-----------|-----------|-----------|-----------|-----------|-----------|
| PRODUCT NAME | DESCRIPTION | PRODUCT CODE | LIGHT SOURCE* | LIGHT SOURCE MAX LENGTH/DIA. | EXCL. VAT | INCL. VAT | EXCL. VAT | INCL. VAT | EXCL. VAT | INCL. VAT | EXCL. VAT | INCL. VAT | EXCL. VAT |
| Pendant 0 | Hand-blown opal glass, silver cord, 3 m | 84183005 | G9 max 33W | 70 / 40 mm | 1.300,- | 1.625,- | 1.640,- | 2.050,- | 1.720,- | 2.150,- | 147,50 | 177,- | 172,- |
| Pendant 1 | Hand-blown opal glass, silver cord, 3 m | 84183105 | E27 max 46W | 115 / 60 mm | 1.660,- | 2.075,- | 2.076,- | 2.595,- | 2.180,- | 2.725,- | 187,50 | 225,- | 223,- |
| Pendant 1 | Hand-blown opal glass, silver cord, 6 m | 84183405 | E27 max 46W | 115 / 60 mm | 1.804,- | 2.255,- | 2.236,- | 2.795,- | 2.340,- | 2.925,- | 207,50 | 249,- | 243,- |
| Pendant 2 | Hand-blown opal glass, silver cord/wire, 3 m | 84183205 | E27 max 100W | 217 / 100 mm | 2.680,- | 3.350,- | 3.356,- | 4.195,- | 3.516,- | 4.395,- | 305,- | 366,- | 360,- |
| Pendant 2 | Hand-blown opal glass, silver cord/wire, 6 m | 84183905 | E27 max 100W | 217 / 100 mm | 2.824,- | 3.530,- | 3.516,- | 4.395,- | 3.676,- | 4.595,- | 325,- | 390,- | 380,- |
| Pendant 3 | Hand-blown opal glass, silver cord/wire, 3 m | 84183305 | E27 max 100W | 319 / 100 mm | 4.580,- | 5.725,- | 5.740,- | 7.175,- | 6.000,- | 7.500,- | 525,- | 630,- | 616,- |
| Pendant 3 | Hand-blown opal glass, silver cord/wire, 6 m | 84184105 | E27 max 100W | 319 / 100 mm | 4.724,- | 5.905,- | 5.900,- | 7.375,- | 6.160,- | 7.700,- | 545,- | 654,- | 636,- |

ENERGY LABEL P0 A+, A, D P1-P3 A++, A+, A, B, C, D CE, IP20, Class II



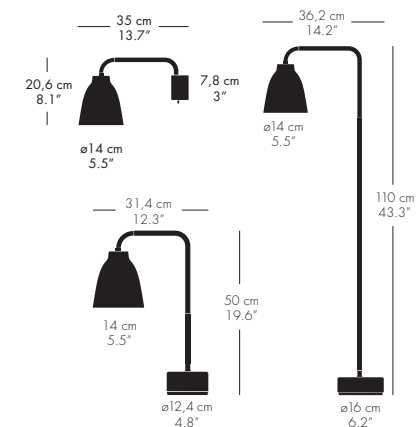
| CARAVAGGIO™ DIFFUSER | | | | | DKK | | SEK | | NOK | | GBP | | EURO |
|----------------------|---|--------------|---------------|------------------------------|-----------|-----------|-----------|-----------|-----------|-----------|-----------|-----------|-----------|
| PRODUCT NAME | DESCRIPTION | PRODUCT CODE | LIGHT SOURCE* | LIGHT SOURCE MAX LENGTH/DIA. | EXCL. VAT | INCL. VAT | EXCL. VAT | INCL. VAT | EXCL. VAT | INCL. VAT | EXCL. VAT | INCL. VAT | EXCL. VAT |
| Diffuser P3 | Opal semi-translucent polycarbonate | 18173405 | - | - | 420,- | 525,- | 528,- | 660,- | 556,- | 695,- | 50,- | 60,- | 58,- |
| Diffuser P4 | Opal semi-translucent polycarbonate for E27 | 18173505 | - | - | 420,- | 525,- | 528,- | 660,- | 556,- | 695,- | 50,- | 60,- | 58,- |



| CARAVAGGIO READ™ DESIGN – CECILIE MANZ 2014 | | | | | DKK | | SEK | | NOK | | GBP | | EURO |
|---|---|--------------|---------------|------------------------------|-----------|-----------|-----------|-----------|-----------|-----------|-----------|-----------|-----------|
| PRODUCT NAME | DESCRIPTION | PRODUCT CODE | LIGHT SOURCE* | LIGHT SOURCE MAX LENGTH/DIA. | EXCL. VAT | INCL. VAT | EXCL. VAT | INCL. VAT | EXCL. VAT | INCL. VAT | EXCL. VAT | INCL. VAT | EXCL. VAT |
| Wall white | White matt lacquer | 23041405 | E27 max 46W | 93 / - mm | 1.596,- | 1.995,- | 1.960,- | 2.450,- | 2.040,- | 2.550,- | 174,17 | 209,- | 216,- |
| Wall grey25 | Grey25 matt lacquer | 13041212 | E27 max 46W | 93 / - mm | 1.596,- | 1.995,- | 1.960,- | 2.450,- | 2.040,- | 2.550,- | 174,17 | 209,- | 216,- |
| Wall black | Black matt lacquer | 23041308 | E27 max 46W | 93 / - mm | 1.596,- | 1.995,- | 1.960,- | 2.450,- | 2.040,- | 2.550,- | 174,17 | 209,- | 216,- |
| Wall opal glass | Hand-blown opal glass, white matt lacquer | 53403205 | E27 max 46W | 93 / - mm | 2.396,- | 2.995,- | 2.960,- | 3.700,- | 3.080,- | 3.850,- | 257,50 | 309,- | 326,- |
| Table white | White matt lacquer | 52697605 | E27 max 46W | 93 / - mm | 2.396,- | 2.995,- | 3.080,- | 3.850,- | 3.160,- | 3.950,- | 233,33 | 280,- | 329,- |
| Table grey25 | Grey25 matt lacquer | 52697812 | E27 max 46W | 93 / - mm | 2.396,- | 2.995,- | 3.080,- | 3.850,- | 3.160,- | 3.950,- | 233,33 | 280,- | 329,- |
| Table black | Black matt lacquer | 52697708 | E27 max 46W | 93 / - mm | 2.396,- | 2.995,- | 3.080,- | 3.850,- | 3.160,- | 3.950,- | 233,33 | 280,- | 329,- |
| Table opal glass | Hand-blown opal glass, white matt lacquer | 52697905 | E27 max 46W | 93 / - mm | 3.196,- | 3.995,- | 4.080,- | 5.100,- | 4.200,- | 5.250,- | 316,67 | 380,- | 439,- |
| Floor white | White matt lacquer | 51697205 | E27 max 46W | 93 / - mm | 3.196,- | 3.995,- | 4.080,- | 5.100,- | 4.200,- | 5.250,- | 316,67 | 380,- | 439,- |
| Floor grey25 | Grey25 matt lacquer | 51697412 | E27 max 46W | 93 / - mm | 3.196,- | 3.995,- | 4.080,- | 5.100,- | 4.200,- | 5.250,- | 316,67 | 380,- | 439,- |
| Floor black | Black matt lacquer | 51697308 | E27 max 46W | 93 / - mm | 3.196,- | 3.995,- | 4.080,- | 5.100,- | 4.200,- | 5.250,- | 316,67 | 380,- | 439,- |
| Floor opal glass | Hand-blown opal glass, white matt lacquer | 51697505 | E27 max 46W | 93 / - mm | 3.996,- | 4.995,- | 5.080,- | 6.350,- | 5.240,- | 6.550,- | 400,- | 480,- | 549,- |

ENERGY LABEL A++, A+, A, B, C, D

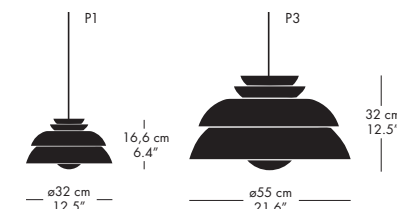
CE, IP20, Class II



| CONCERT™ DESIGN – JØRN UTZON 2005 | | | | | DKK | | SEK | | NOK | | GBP | | EURO |
|-----------------------------------|---|--------------|---------------|------------------------------|-----------|-----------|-----------|-----------|-----------|-----------|-----------|-----------|-----------|
| PRODUCT NAME | DESCRIPTION | PRODUCT CODE | LIGHT SOURCE* | LIGHT SOURCE MAX LENGTH/DIA. | EXCL. VAT | INCL. VAT | EXCL. VAT | INCL. VAT | EXCL. VAT | INCL. VAT | EXCL. VAT | INCL. VAT | EXCL. VAT |
| Pendant 1 | White lacquer, acid treated glass, 3 m cord | 54003405 | E27 max 75W | 110 / 65 mm | 2.280,- | 2.850,- | 2.876,- | 3.595,- | 3.000,- | 3.750,- | 255,- | 306,- | 308,- |
| Pendant 3 | White lacquer, acid treated glass, 6 m cord | 74003505 | E27 max 150W | 180 / 85 mm | 3.996,- | 4.995,- | 5.000,- | 6.250,- | 5.240,- | 6.550,- | 475,- | 570,- | 544,- |

ENERGY LABEL A++, A+, A, B, C, D

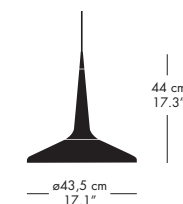
CE, IP20, Class II

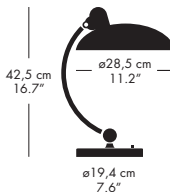
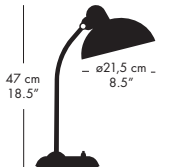
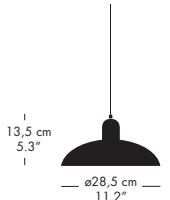

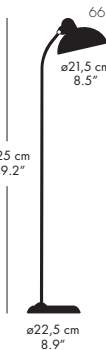
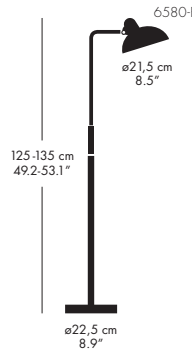


| JUICY™ DESIGN – SALTO & SIGSGAARD 2011 | | | | | DKK | | SEK | | NOK | | GBP | | EURO |
|--|----------------------------|--------------|---------------|------------------------------|-----------|-----------|-----------|-----------|-----------|-----------|-----------|-----------|-----------|
| PRODUCT NAME | DESCRIPTION | PRODUCT CODE | LIGHT SOURCE* | LIGHT SOURCE MAX LENGTH/DIA. | EXCL. VAT | INCL. VAT | EXCL. VAT | INCL. VAT | EXCL. VAT | INCL. VAT | EXCL. VAT | INCL. VAT | EXCL. VAT |
| Pendant white | White high-gloss, 6 m cord | 94183505 | E27 max 30W | 156 / 100 mm | 2.860,- | 3.575,- | 3.580,- | 4.475,- | 3.756,- | 4.695,- | 332,50 | 399,- | 388,- |
| Pendant black | Black high-gloss, 6 m cord | 94183608 | E27 max 30W | 156 / 100 mm | 2.860,- | 3.575,- | 3.580,- | 4.475,- | 3.756,- | 4.695,- | 332,50 | 399,- | 388,- |

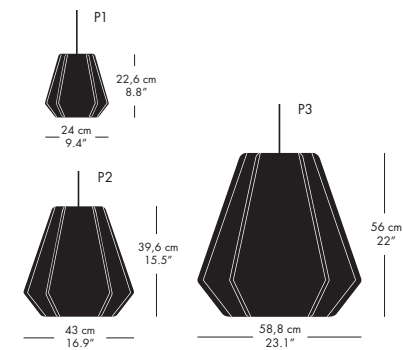
ENERGY LABEL A++, A+, A, B, C, D

CE, IP20, Class II



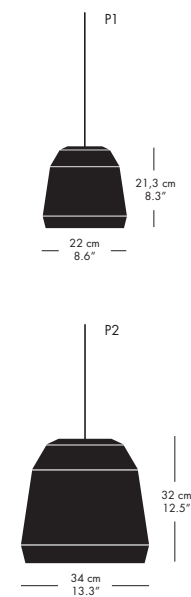
| KAISER IDELL™ DESIGN – CHRISTIAN DELL 1931 | | | | | DKK | | SEK | | NOK | | GBP | | EURO | | |
|--|-------------------------------|--------------|---------------|------------------------------|-----------|-----------|-----------|-----------|-----------|-----------|-----------|--------------------|-----------|--|--------|
| PRODUCT NAME | DESCRIPTION | PRODUCT CODE | LIGHT SOURCE* | LIGHT SOURCE MAX LENGTH/DIA. | EXCL. VAT | INCL. VAT | EXCL. VAT | INCL. VAT | EXCL. VAT | INCL. VAT | EXCL. VAT | INCL. VAT | EXCL. VAT | | |
| Floor 6556-F white | White high-gloss lacquer | 61703505 | E27 max 60W | 102 / - | 4.392,- | 5.490,- | 5.862,- | 7.328,- | 5.750,- | 7.188,- | 566,- | 679,- | 625,- |  | 6631-T |
| Floor 6556-F black | Black high-gloss lacquer | 61703608 | E27 max 60W | 102 / - | 4.392,- | 5.490,- | 5.862,- | 7.328,- | 5.750,- | 7.188,- | 566,- | 679,- | 625,- | | |
| Floor 6556-F matt black | Black matt lacquer | 61703708 | E27 max 60W | 102 / - | 4.392,- | 5.490,- | 5.862,- | 7.328,- | 5.750,- | 7.188,- | 566,- | 679,- | 625,- | | |
| Table 6556-T white | White high-gloss lacquer | 62702905 | E27 max 60W | 102 / - | 3.040,- | 3.800,- | 4.057,- | 5.071,- | 3.984,- | 4.980,- | 392,- | 470,- | 433,- |  | 6556-T |
| Table 6556-T black | Black high-gloss lacquer | 62703008 | E27 max 60W | 102 / - | 3.040,- | 3.800,- | 4.057,- | 5.071,- | 3.984,- | 4.980,- | 392,- | 470,- | 433,- | | |
| Table 6556-T matt black | Black matt lacquer | 62703108 | E27 max 60W | 102 / - | 3.040,- | 3.800,- | 4.057,- | 5.071,- | 3.984,- | 4.980,- | 392,- | 470,- | 433,- | | |
| Floor 6580-F LUXUS white | White high-gloss lacquer | 61704105 | E27 max 60W | 102 / - | 4.790,- | 5.988,- | 6.393,- | 7.991,- | 6.274,- | 7.843,- | 617,- | 740,- | 682,- | | |
| Floor 6580-F LUXUS black | Black high-gloss lacquer | 61704208 | E27 max 60W | 102 / - | 4.790,- | 5.988,- | 6.393,- | 7.991,- | 6.274,- | 7.843,- | 617,- | 740,- | 682,- | | |
| Floor 6580-F LUXUS matt black | Black matt lacquer | 61704308 | E27 max 60W | 102 / - | 4.790,- | 5.988,- | 6.393,- | 7.991,- | 6.274,- | 7.843,- | 617,- | 740,- | 682,- | | |
| Pendant 6631-P white | White high-gloss lacquer | 64700505 | E27 max 60W | 95 / - | 1.916,- | 2.395,- | 2.557,- | 3.196,- | 2.512,- | 3.140,- | 247,- | 296,- | 273,- |  | 6631-P |
| Pendant 6631-P black | Black high-gloss lacquer | 64700608 | E27 max 60W | 95 / - | 1.916,- | 2.395,- | 2.557,- | 3.196,- | 2.512,- | 3.140,- | 247,- | 296,- | 273,- | | |
| Pendant 6631-P matt black | Black matt lacquer | 64700708 | E27 max 60W | 95 / - | 1.916,- | 2.395,- | 2.557,- | 3.196,- | 2.512,- | 3.140,- | 247,- | 296,- | 273,- | | |
| Pendant 6631-P ruby red | Ruby red high-gloss lacquer | 64700801 | E27 max 60W | 95 / - | 1.916,- | 2.395,- | 2.557,- | 3.196,- | 2.512,- | 3.140,- | 247,- | 296,- | 273,- | | |
| Table 6631-T LUXUS white | White high-gloss lacquer | 62701305 | E27 max 60W | 95 / - | 3.819,- | 4.774,- | 5.097,- | 6.371,- | 4.996,- | 6.245,- | 492,- | 590,- | 543,- |  | 6718-W |
| Table 6631-T LUXUS black | Black high-gloss lacquer | 62701408 | E27 max 60W | 95 / - | 3.819,- | 4.774,- | 5.097,- | 6.371,- | 4.996,- | 6.245,- | 492,- | 590,- | 543,- | | |
| Table 6631-T LUXUS matt black | Black matt lacquer | 62701508 | E27 max 60W | 95 / - | 3.819,- | 4.774,- | 5.097,- | 6.371,- | 4.996,- | 6.245,- | 492,- | 590,- | 543,- | | |
| Table 6631-T LUXUS ruby red | Ruby red high-gloss lacquer | 62701601 | E27 max 60W | 95 / - | 3.819,- | 4.774,- | 5.097,- | 6.371,- | 4.996,- | 6.245,- | 492,- | 590,- | 543,- | | |
| Table 6631-T LUXUS dark green | Dark green high-gloss lacquer | 62701706 | E27 max 60W | 95 / - | 3.819,- | 4.774,- | 5.097,- | 6.371,- | 4.996,- | 6.245,- | 492,- | 590,- | 543,- | | |
| Wall 6718-W white | White high-gloss lacquer | 63702305 | E27 max 60W | 95 / - | 3.248,- | 4.060,- | 4.335,- | 5.419,- | 4.250,- | 5.313,- | 419,- | 503,- | 462,- |  | 6656-F |
| Wall 6718-W black | Black high-gloss lacquer | 63702408 | E27 max 60W | 95 / - | 3.248,- | 4.060,- | 4.335,- | 5.419,- | 4.250,- | 5.313,- | 419,- | 503,- | 462,- |  | 6580-F |
| Wall 6718-W matt black | Black matt lacquer | 63702508 | E27 max 60W | 95 / - | 3.248,- | 4.060,- | 4.335,- | 5.419,- | 4.250,- | 5.313,- | 419,- | 503,- | 462,- | | |
| ENERGY LABEL A++, A+, A, B, C, D | | | | | | | | | | | | CE, IP20, Class II | | | |

| LULLABY™ DESIGN – MONICA FÖRSTER 2014 | | | | | DKK | | SEK | | NOK | | GBP | | EURO |
|---------------------------------------|-----------------------------------|--------------|---------------|------------------------------|-----------|-----------|-----------|-----------|-----------|-----------|--------------------|-----------|-----------|
| PRODUCT NAME | DESCRIPTION | PRODUCT CODE | LIGHT SOURCE* | LIGHT SOURCE MAX LENGTH/DIA. | EXCL. VAT | INCL. VAT | EXCL. VAT | INCL. VAT | EXCL. VAT | INCL. VAT | EXCL. VAT | INCL. VAT | EXCL. VAT |
| Pendant 1 | Stone paper, ash, white cord, 3 m | 34301005 | E27 max 46W | 110 / - mm | 1.080,- | 1.350,- | 1.356,- | 1.695,- | 1.420,- | 1.775,- | 117,50 | 141,- | 145,- |
| Pendant 2 | Stone paper, ash, white cord, 3 m | 34301105 | E27 max 100W | 190 / - mm | 1.516,- | 1.895,- | 1.900,- | 2.375,- | 1.996,- | 2.495,- | 167,50 | 201,- | 205,- |
| Pendant 2 | Stone paper, ash, white cord, 6 m | 34301305 | E27 max 100W | 190 / - mm | 1.636,- | 2.045,- | 2.060,- | 2.575,- | 2.156,- | 2.695,- | 182,50 | 219,- | 223,- |
| Pendant 3 | Stone paper, ash, white cord, 6 m | 34301205 | E27 max 100W | 280 / - mm | 2.396,- | 2.995,- | 3.000,- | 3.750,- | 3.116,- | 3.895,- | 255,- | 306,- | 322,- |
| ENERGY LABEL A++, A+, A, B, C, D | | | | | | | | | | | CE, IP20, Class II | | |



FSC approved ash wood

| MINGUS™ DESIGN – CECILIE MANZ 2011 | | | | | DKK | | SEK | | NOK | | GBP | | EURO |
|------------------------------------|---|--------------|---------------|------------------------------|-----------|-----------|-----------|-----------|-----------|-----------|--------------------|-----------|-----------|
| PRODUCT NAME | DESCRIPTION | PRODUCT CODE | LIGHT SOURCE* | LIGHT SOURCE MAX LENGTH/DIA. | EXCL. VAT | INCL. VAT | EXCL. VAT | INCL. VAT | EXCL. VAT | INCL. VAT | EXCL. VAT | INCL. VAT | EXCL. VAT |
| Pendant 1 very grey | Very grey lacquer, grey cord, 3 m | 24197011 | E27 max 46W | 130 / - mm | 1.516,- | 1.895,- | 1.900,- | 2.375,- | 1.996,- | 2.495,- | 177,50 | 213,- | 206,- |
| Pendant 1 very grey | Very grey lacquer, grey cord, 6 m | 24199011 | E27 max 46W | 130 / - mm | 1.636,- | 2.045,- | 2.060,- | 2.575,- | 2.156,- | 2.695,- | 192,50 | 231,- | 224,- |
| Pendant 1 pale moss | Pale moss lacquer, grey cord, 3 m | 24197110 | E27 max 46W | 130 / - mm | 1.516,- | 1.895,- | 1.900,- | 2.375,- | 1.996,- | 2.495,- | 177,50 | 213,- | 206,- |
| Pendant 1 pale moss | Pale moss lacquer, grey cord, 6 m | 24199110 | E27 max 46W | 130 / - mm | 1.636,- | 2.045,- | 2.060,- | 2.575,- | 2.156,- | 2.695,- | 192,50 | 231,- | 224,- |
| Pendant 1 dusty limestone | Dusty limestone lacquer, grey cord, 3 m | 24197203 | E27 max 46W | 130 / - mm | 1.516,- | 1.895,- | 1.900,- | 2.375,- | 1.996,- | 2.495,- | 177,50 | 213,- | 206,- |
| Pendant 1 dusty limestone | Dusty limestone lacquer, grey cord, 6 m | 24199203 | E27 max 46W | 130 / - mm | 1.636,- | 2.045,- | 2.060,- | 2.575,- | 2.156,- | 2.695,- | 192,50 | 231,- | 224,- |
| Pendant 1 nearly black | Nearly black lacquer, grey cord, 3 m | 24197309 | E27 max 46W | 130 / - mm | 1.516,- | 1.895,- | 1.900,- | 2.375,- | 1.996,- | 2.495,- | 177,50 | 213,- | 206,- |
| Pendant 1 nearly black | Nearly black lacquer, grey cord, 6 m | 24199309 | E27 max 46W | 130 / - mm | 1.636,- | 2.045,- | 2.060,- | 2.575,- | 2.156,- | 2.695,- | 192,50 | 231,- | 224,- |
| Pendant 1 light celadon | Light celadon lacquer, grey cord, 3 m | 24197404 | E27 max 46W | 130 / - mm | 1.516,- | 1.895,- | 1.900,- | 2.375,- | 1.996,- | 2.495,- | 177,50 | 213,- | 206,- |
| Pendant 1 light celadon | Light celadon lacquer, grey cord, 6 m | 24199404 | E27 max 46W | 130 / - mm | 1.636,- | 2.045,- | 2.060,- | 2.575,- | 2.156,- | 2.695,- | 192,50 | 231,- | 224,- |
| Pendant 1 white | White lacquer, white cord, 3 m | 24197505 | E27 max 46W | 130 / - mm | 1.516,- | 1.895,- | 1.900,- | 2.375,- | 1.996,- | 2.495,- | 177,50 | 213,- | 206,- |
| Pendant 1 white | White lacquer, white cord, 6 m | 24199505 | E27 max 46W | 130 / - mm | 1.636,- | 2.045,- | 2.060,- | 2.575,- | 2.156,- | 2.695,- | 192,50 | 231,- | 224,- |
| ENERGY LABEL A++, A+, A, B, C, D | | | | | | | | | | | CE, IP20, Class II | | |



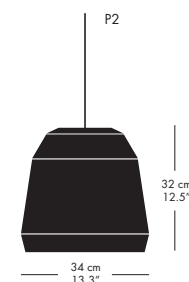
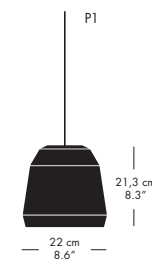
MINGUS P2 - DETAILS AT PAGE 13

| MINGUS™ DESIGN – CECILIE MANZ 2011 | | | | | DKK | | SEK | | NOK | | GBP | | EURO |
|------------------------------------|---|--------------|---------------|------------------------------|-----------|-----------|-----------|-----------|-----------|-----------|-----------|-----------|-----------|
| PRODUCT NAME | DESCRIPTION | PRODUCT CODE | LIGHT SOURCE* | LIGHT SOURCE MAX LENGTH/DIA. | EXCL. VAT | INCL. VAT | EXCL. VAT | INCL. VAT | EXCL. VAT | INCL. VAT | EXCL. VAT | INCL. VAT | EXCL. VAT |
| Pendant 2 very grey | Very grey lacquer, grey cord, 3 m | 24198011 | E27 max 70W | 180 / - mm | 2.600,- | 3.250,- | 3.260,- | 4.075,- | 3.420,- | 4.275,- | 305,- | 366,- | 354,- |
| Pendant 2 very grey | Very grey lacquer, grey cord, 6 m | 24203011 | E27 max 70W | 180 / - mm | 2.720,- | 3.400,- | 3.420,- | 4.275,- | 3.580,- | 4.475,- | 322,50 | 387,- | 372,- |
| Pendant 2 pale moss | Pale moss lacquer, grey cord, 3 m | 24198110 | E27 max 70W | 180 / - mm | 2.600,- | 3.250,- | 3.260,- | 4.075,- | 3.420,- | 4.275,- | 305,- | 366,- | 354,- |
| Pendant 2 pale moss | Pale moss lacquer, grey cord, 6 m | 24203110 | E27 max 70W | 180 / - mm | 2.720,- | 3.400,- | 3.420,- | 4.275,- | 3.580,- | 4.475,- | 322,50 | 387,- | 372,- |
| Pendant 2 dusty limestone | Dusty limestone lacquer, grey cord, 3 m | 24198203 | E27 max 70W | 180 / - mm | 2.600,- | 3.250,- | 3.260,- | 4.075,- | 3.420,- | 4.275,- | 305,- | 366,- | 354,- |
| Pendant 2 dusty limestone | Dusty limestone lacquer, grey cord, 6 m | 24203203 | E27 max 70W | 180 / - mm | 2.720,- | 3.400,- | 3.420,- | 4.275,- | 3.580,- | 4.475,- | 322,50 | 387,- | 372,- |
| Pendant 2 nearly black | Nearly black lacquer, grey cord, 3 m | 24198309 | E27 max 70W | 180 / - mm | 2.600,- | 3.250,- | 3.260,- | 4.075,- | 3.420,- | 4.275,- | 305,- | 366,- | 354,- |
| Pendant 2 nearly black | Nearly black lacquer, grey cord, 6 m | 24203309 | E27 max 70W | 180 / - mm | 2.720,- | 3.400,- | 3.420,- | 4.275,- | 3.580,- | 4.475,- | 322,50 | 387,- | 372,- |
| Pendant 2 light celadon | Light celadon lacquer, grey cord, 3 m | 24198404 | E27 max 70W | 180 / - mm | 2.600,- | 3.250,- | 3.260,- | 4.075,- | 3.420,- | 4.275,- | 305,- | 366,- | 354,- |
| Pendant 2 light celadon | Light celadon lacquer, grey cord, 6 m | 24203404 | E27 max 70W | 180 / - mm | 2.720,- | 3.400,- | 3.420,- | 4.275,- | 3.580,- | 4.475,- | 322,50 | 387,- | 372,- |
| Pendant 2 white | White lacquer, white cord, 3 m | 24198505 | E27 max 70W | 180 / - mm | 2.600,- | 3.250,- | 3.260,- | 4.075,- | 3.420,- | 4.275,- | 305,- | 366,- | 354,- |
| Pendant 2 white | White lacquer, cord, 6 m | 24203505 | E27 max 70W | 180 / - mm | 2.720,- | 3.400,- | 3.420,- | 4.275,- | 3.580,- | 4.475,- | 322,50 | 387,- | 372,- |

ENERGY LABEL A++, A+, A, B, C, D

CE, IP20, Class II

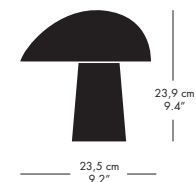
MINGUS P1 - DETAILS AT PAGE 12



| NIGHT OWL™ DESIGN – NICOLAI WIIG HANSEN 2015 | | | | | DKK | | SEK | | NOK | | GBP | | EURO |
|--|---------------------------------|--------------|---------------|------------------------------|-----------|-----------|-----------|-----------|-----------|-----------|-----------|-----------|-----------|
| PRODUCT NAME | DESCRIPTION | PRODUCT CODE | LIGHT SOURCE* | LIGHT SOURCE MAX LENGTH/DIA. | EXCL. VAT | INCL. VAT | EXCL. VAT | INCL. VAT | EXCL. VAT | INCL. VAT | EXCL. VAT | INCL. VAT | EXCL. VAT |
| Night Owl midnight blue | Midnight blue matt lacquer | 52698203 | E27 max 15W | 110 / 60 mm | 956,- | 1.195,- | 1.196,- | 1.495,- | 1.260,- | 1.575,- | 101,66 | 122,- | 129,- |
| Night Owl smokey white | Smokey white matt lacquer | 52698305 | E27 max 15W | 110 / 60 mm | 956,- | 1.195,- | 1.196,- | 1.495,- | 1.260,- | 1.575,- | 101,66 | 122,- | 129,- |
| Night Owl midnight blue/ash | Midnight blue matt lacquer, ash | 52698003 | E27 max 15W | 110 / 60 mm | 1.196,- | 1.495,- | 1.516,- | 1.895,- | 1.580,- | 1.975,- | 126,66 | 152,- | 161,- |
| Night Owl smokey white/ash | Smokey white matt lacquer, ash | 52698105 | E27 max 15W | 110 / 60 mm | 1.196,- | 1.495,- | 1.516,- | 1.895,- | 1.580,- | 1.975,- | 126,66 | 152,- | 161,- |

ENERGY LABEL A++, A+, A, B, C, D

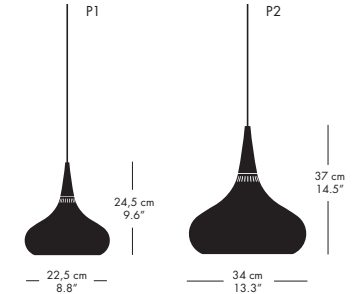
CE, IP20, Class II



FSC approved ash wood

| ORIENT™ DESIGN – JO HAMMERBORG 1963 | | | | | DKK | | SEK | | NOK | | GBP | | EURO |
|-------------------------------------|---|--------------|---------------|------------------------------|-----------|-----------|-----------|-----------|-----------|-----------|-----------|-----------|-----------|
| PRODUCT NAME | DESCRIPTION | PRODUCT CODE | LIGHT SOURCE* | LIGHT SOURCE MAX LENGTH/DIA. | EXCL. VAT | INCL. VAT | EXCL. VAT | INCL. VAT | EXCL. VAT | INCL. VAT | EXCL. VAT | INCL. VAT | EXCL. VAT |
| Pendant 1 | Polished copper with clear lacquer, rosewood, black cord, 3 m | 34192064 | E27 max 60W | 98 / - mm | 2.396,- | 2.995,- | 3.000,- | 3.750,- | 3.140,- | 3.925,- | 262,50 | 315,- | 328,- |
| Pendant 1 | Polished copper with clear lacquer, rosewood, black cord, 6 m | 34192464 | E27 max 60W | 98 / - mm | 2.516,- | 3.145,- | 3.160,- | 3.950,- | 3.300,- | 4.125,- | 275,- | 330,- | 346,- |
| Pendant 2 | Polished copper with clear lacquer, rosewood, black cord, 3 m | 34192264 | E27 max 75W | 156 / - mm | 3.596,- | 4.495,- | 4.500,- | 5.625,- | 4.716,- | 5.895,- | 395,- | 474,- | 492,- |
| Pendant 2 | Polished copper with clear lacquer, rosewood, black cord, 6 m | 34192664 | E27 max 75W | 156 / - mm | 3.716,- | 4.645,- | 4.660,- | 5.825,- | 4.876,- | 6.095,- | 410,- | 492,- | 510,- |

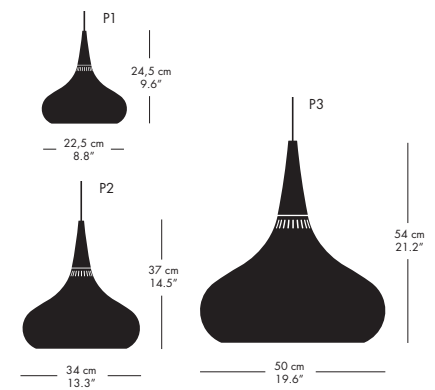
ENERGY LABEL A++, A+, A, B, C, D CE, IP20, Class II



FSC approved rosewood

| ORIENT BLACK™ DESIGN – JO HAMMERBORG 1963 | | | | | DKK | | SEK | | NOK | | GBP | | EURO |
|---|---|--------------|---------------|------------------------------|-----------|-----------|-----------|-----------|-----------|-----------|-----------|-----------|-----------|
| PRODUCT NAME | DESCRIPTION | PRODUCT CODE | LIGHT SOURCE* | LIGHT SOURCE MAX LENGTH/DIA. | EXCL. VAT | INCL. VAT | EXCL. VAT | INCL. VAT | EXCL. VAT | INCL. VAT | EXCL. VAT | INCL. VAT | EXCL. VAT |
| Pendant 1 | Matt black lacquer, rosewood, black cord, 3 m | 34192108 | E27 max 60W | 98 / - mm | 1.596,- | 1.995,- | 1.996,- | 2.495,- | 2.100,- | 2.625,- | 172,50 | 207,- | 218,- |
| Pendant 1 | Matt black lacquer, rosewood, black cord, 6 m | 34192508 | E27 max 60W | 98 / - mm | 1.716,- | 2.145,- | 2.156,- | 2.695,- | 2.260,- | 2.825,- | 185,- | 222,- | 236,- |
| Pendant 2 | Matt black lacquer, rosewood, black cord, 3 m | 34192308 | E27 max 75W | 156 / - mm | 2.396,- | 2.995,- | 3.000,- | 3.750,- | 3.160,- | 3.950,- | 257,50 | 309,- | 328,- |
| Pendant 2 | Matt black lacquer, rosewood, black cord, 6 m | 34192708 | E27 max 75W | 156 / - mm | 2.516,- | 3.145,- | 3.160,- | 3.950,- | 3.320,- | 4.150,- | 272,50 | 327,- | 346,- |
| Pendant 3 | Matt black lacquer, rosewood, black cord, 6 m | 34192808 | E27 max 100W | 220 / - mm | 3.996,- | 4.995,- | 5.000,- | 6.250,- | 5.240,- | 6.550,- | 430,- | 516,- | 548,- |

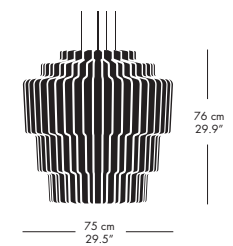
ENERGY LABEL A++, A+, A, B, C, D CE, IP20, Class II



FSC approved rosewood

| PALLAS™ DESIGN – FORMFJORD 2012 | | | | | DKK | | SEK | | NOK | | GBP | | EURO |
|---------------------------------|---|--------------|---------------|------------------------------|-----------|-----------|-----------|-----------|-----------|-----------|-----------|-----------|-----------|
| PRODUCT NAME | DESCRIPTION | PRODUCT CODE | LIGHT SOURCE* | LIGHT SOURCE MAX LENGTH/DIA. | EXCL. VAT | INCL. VAT | EXCL. VAT | INCL. VAT | EXCL. VAT | INCL. VAT | EXCL. VAT | INCL. VAT | EXCL. VAT |
| Pendant white | White high-gloss lacquer, acid treated opal glass, 6 m cord | 24200905 | E27 max 200W | - | 13.596,- | 16.995,- | 17.196,- | 21.495,- | 18.076,- | 22.595,- | 1.630,- | 1.956,- | 1.950,- |
| Pendant black | Black high-gloss lacquer, acid treated opal glass, 6 m cord | 24201008 | E27 max 200W | - | 13.596,- | 16.995,- | 17.196,- | 21.495,- | 18.076,- | 22.595,- | 1.630,- | 1.956,- | 1.950,- |

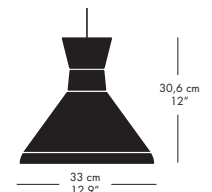
ENERGY LABEL A++, A+, A, B, C, D CE, IP20, Class II



Made-to-order. Shipment 4 weeks from receipt of firm order.

| PHARAOH™ DESIGN – HULGER 2013 | | | | | DKK | | SEK | | NOK | | GBP | | EURO |
|-------------------------------|---------------------------|--------------|---------------|------------------------------|-----------|-----------|-----------|-----------|-----------|-----------|-----------|-----------|-----------|
| PRODUCT NAME | DESCRIPTION | PRODUCT CODE | LIGHT SOURCE* | LIGHT SOURCE MAX LENGTH/DIA. | EXCL. VAT | INCL. VAT | EXCL. VAT | INCL. VAT | EXCL. VAT | INCL. VAT | EXCL. VAT | INCL. VAT | EXCL. VAT |
| Pendant | Mirror coating - 3 m cord | 14195072 | E27 max 46W | 192 / 100 mm | 2.680,- | 3.350,- | 3.356,- | 4.195,- | 3.500,- | 4.375,- | 317,50 | 381,- | 360,- |

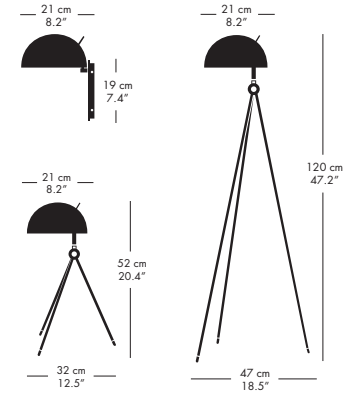
ENERGY LABEL A++, A+, A, B, C, D CE, IP20, Class II



Delivered incl.11 W Plumen 001 light source.

A type included

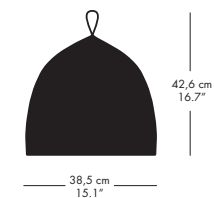
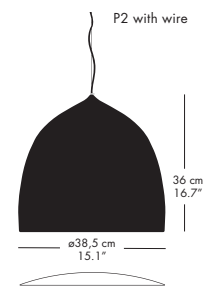
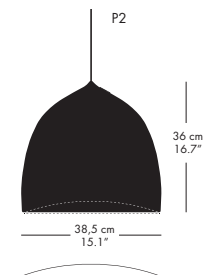
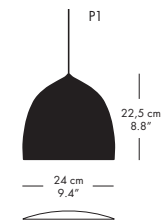
| RADON™ DESIGN – HANS SANDGREN JAKOBSEN 2005 | | | | | DKK | | SEK | | NOK | | GBP | | EURO |
|---|---------------------|--------------|---------------|---------------------------------|-----------|-----------|-----------|-----------|-----------|-----------|--------------------|-----------|-----------|
| PRODUCT NAME | DESCRIPTION | PRODUCT CODE | LIGHT SOURCE* | LIGHT SOURCE MAX LENGTH/DIA. | EXCL. VAT | INCL. VAT | EXCL. VAT | INCL. VAT | EXCL. VAT | INCL. VAT | EXCL. VAT | INCL. VAT | EXCL. VAT |
| Wall alba | Matt white lacquer | 83182405 | E14 max 60W | 90 / 50 mm | 1.516,- | 1.895,- | 1.860,- | 2.325,- | 1.996,- | 2.495,- | 180,- | 216,- | 204,- |
| Wall nigra | Matt black lacquer | 53182208 | E14 max 60W | 90 / 50 mm | 1.516,- | 1.895,- | 1.860,- | 2.325,- | 1.996,- | 2.495,- | 180,- | 216,- | 204,- |
| Wall solis | Matt yellow lacquer | 63704702 | E14 max 60W | 90 / 50 mm | 1.516,- | 1.895,- | 1.860,- | 2.325,- | 1.996,- | 2.495,- | 180,- | 216,- | 204,- |
| Table alba | Matt white lacquer | 62705005 | E14 max 60W | 90 / 50 mm | 2.580,- | 3.225,- | 3.240,- | 4.050,- | 3.400,- | 4.250,- | 307,50 | 369,- | 347,- |
| Table nigra | Matt black lacquer | 52182108 | E14 max 60W | 90 / 50 mm | 2.580,- | 3.225,- | 3.240,- | 4.050,- | 3.400,- | 4.250,- | 307,50 | 369,- | 347,- |
| Table solis | Matt yellow lacquer | 62704802 | E14 max 60W | 90 / 50 mm | 2.580,- | 3.225,- | 3.240,- | 4.050,- | 3.400,- | 4.250,- | 307,50 | 369,- | 347,- |
| Floor alba | Matt white lacquer | 61705105 | E14 max 25W | 90 / 50 mm | 3.436,- | 4.295,- | 4.300,- | 5.375,- | 4.520,- | 5.650,- | 400,- | 480,- | 462,- |
| Floor nigra | Matt black lacquer | 51182308 | E14 max 25W | 90 / 50 mm | 3.436,- | 4.295,- | 4.300,- | 5.375,- | 4.520,- | 5.650,- | 400,- | 480,- | 462,- |
| Floor solis | Matt yellow lacquer | 61704902 | E14 max 25W | 90 / 50 mm | 3.436,- | 4.295,- | 4.300,- | 5.375,- | 4.520,- | 5.650,- | 400,- | 480,- | 462,- |
| ENERGY LABEL A++, A+, A, B, C, D | | | | | | | | | | | CE, IP20, Class II | | |



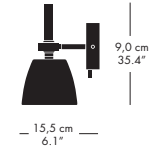
| SUSPENCE™ / NOMAD / COPPER DESIGN – GAMFRATESI 2013 | | | | | DKK | | SEK | | NOK | | GBP | | EURO |
|---|---|--------------|---------------|------------------------------|-----------|-----------|-----------|-----------|-----------|-----------|-----------|-----------|-----------|
| PRODUCT NAME | DESCRIPTION | PRODUCT CODE | LIGHT SOURCE* | LIGHT SOURCE MAX LENGTH/DIA. | EXCL. VAT | INCL. VAT | EXCL. VAT | INCL. VAT | EXCL. VAT | INCL. VAT | EXCL. VAT | INCL. VAT | EXCL. VAT |
| Pendant 1 white | White matt lacquer, white cord, 3 m | 54400205 | E27 max 53W | 126 / - mm | 1.596,- | 1.995,- | 1.996,- | 2.495,- | 2.156,- | 2.695,- | 170,- | 204,- | 216,- |
| Pendant 1 white | White matt lacquer, white cord, 6 m | 54402105 | E27 max 53W | 126 / - mm | 1.716,- | 2.145,- | 2.156,- | 2.695,- | 2.316,- | 2.895,- | 183,33 | 220,- | 234,- |
| Pendant 1 light grey | Light grey matt lacquer, grey cord, 3 m | 54400612 | E27 max 53W | 126 / - mm | 1.596,- | 1.995,- | 1.996,- | 2.495,- | 2.156,- | 2.695,- | 170,- | 204,- | 216,- |
| Pendant 1 light grey | Light grey matt lacquer, grey cord, 6 m | 54402312 | E27 max 53W | 126 / - mm | 1.716,- | 2.145,- | 2.156,- | 2.695,- | 2.316,- | 2.895,- | 183,33 | 220,- | 234,- |
| Pendant 1 black | Black matt lacquer, black cord, 3 m | 54400508 | E27 max 53W | 126 / - mm | 1.596,- | 1.995,- | 1.996,- | 2.495,- | 2.156,- | 2.695,- | 170,- | 204,- | 216,- |
| Pendant 1 black | Black matt lacquer, black cord, 6 m | 54402208 | E27 max 53W | 126 / - mm | 1.716,- | 2.145,- | 2.156,- | 2.695,- | 2.316,- | 2.895,- | 183,33 | 220,- | 234,- |
| Pendant 1 copper | Polished copper with clear lacquer, black cord, 3 m | 54403364 | E27 max 53W | 126 / - mm | 2.556,- | 3.195,- | 3.363,- | 4.204,- | 3.080,- | 3.849,- | 308,- | 370,- | 343,- |
| Pendant 1 copper | Polished copper with clear lacquer, black cord, 6 m | 54403464 | E27 max 53W | 126 / - mm | 2.676,- | 3.345,- | 3.521,- | 4.401,- | 3.224,- | 4.030,- | 323,- | 387,- | 359,- |
| Pendant 2 white | White matt lacquer, white cord, 3 m | 54400305 | E27 max 100W | 172 / - mm | 2.796,- | 3.495,- | 3.516,- | 4.395,- | 3.756,- | 4.695,- | 295,83 | 355,- | 380,- |
| Pendant 2 white | White matt lacquer, white cord, 6 m | 54402405 | E27 max 100W | 172 / - mm | 2.916,- | 3.645,- | 3.676,- | 4.595,- | 3.916,- | 4.895,- | 309,17 | 371,- | 398,- |
| Pendant 2 light grey | Light grey matt lacquer, grey cord, 3 m | 54400812 | E27 max 100W | 172 / - mm | 2.796,- | 3.495,- | 3.516,- | 4.395,- | 3.756,- | 4.695,- | 295,83 | 355,- | 380,- |
| Pendant 2 light grey | Light grey matt lacquer, grey cord, 6 m | 54402612 | E27 max 100W | 172 / - mm | 2.916,- | 3.645,- | 3.676,- | 4.595,- | 3.916,- | 4.895,- | 309,17 | 371,- | 398,- |
| Pendant 2 black | Black matt lacquer, black cord, 3 m | 54400708 | E27 max 100W | 172 / - mm | 2.796,- | 3.495,- | 3.516,- | 4.395,- | 3.756,- | 4.695,- | 295,83 | 355,- | 380,- |
| Pendant 2 black | Black matt lacquer, black cord, 6 m | 54402508 | E27 max 100W | 172 / - mm | 2.916,- | 3.645,- | 3.676,- | 4.595,- | 3.916,- | 4.895,- | 309,17 | 371,- | 398,- |
| Pendant 2 copper | Polished copper with clear lacquer, black cord with wire, 3 m | 54403564 | E27 max 100W | 172 / - mm | 5.196,- | 6.495,- | 6.837,- | 8.546,- | 6.260,- | 7.825,- | 627,- | 752,- | 697,- |
| Pendant 2 copper | Polished copper with clear lacquer, black cord with wire, 6 m | 54403664 | E27 max 100W | 172 / - mm | 5.316,- | 6.645,- | 6.995,- | 8.743,- | 6.405,- | 8.006,- | 641,- | 770,- | 714,- |
| Nomad grey | Polyethylene (PE), grey cord, 4 m | 52403812 | E27 max 46W | 172 / - mm | 1.516,- | 1.895,- | 1.916,- | 2.395,- | 1.996,- | 2.495,- | 160,- | 192,- | 205,- |
| Nomad red | Polyethylene (PE), red cord, 4 m | 52400401 | E27 max 46W | 172 / - mm | 1.516,- | 1.895,- | 1.916,- | 2.395,- | 1.996,- | 2.495,- | 160,- | 192,- | 205,- |

ENERGY LABEL A++, A+, A, B, C, D

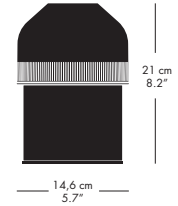
CE, IP20, Class II



| TAKERU™ DESIGN – HIDENORI KUGE 2005 | | | | | DKK | | SEK | | NOK | | GBP | | EURO |
|-------------------------------------|----------------------------|--------------|---------------|------------------------------|-----------|-----------|-----------|-----------|-----------|----------|--------------------|-----------|-----------|
| PRODUCT NAME | DESCRIPTION | PRODUCT CODE | LIGHT SOURCE* | LIGHT SOURCE MAX LENGTH/DIA. | EXCL. VAT | INCL. VAT | EXCL. VAT | INCL. VAT | EXCL. VAT | INCL.VAT | EXCL. VAT | INCL. VAT | EXCL. VAT |
| Wall | White lacquer, matt chrome | 53002905 | G9 max 75W | 50 / 15 mm | 1.276,- | 1.595,- | 1.596,- | 1.995,- | 1.676,- | 2.095,- | 152,50 | 180,- | 175,- |
| ENERGY LABEL A+, A, D | | | | | | | | | | | CE, IP20, Class II | | |



| VOLUME™ DESIGN – GAMFRATESI 2014 | | | | | DKK | | SEK | | NOK | | GBP | | EURO |
|--|-----------------------------|--------------|---|------------------------------|-----------|-----------|-----------|-----------|-----------|----------|--------------------|-----------|-----------|
| PRODUCT NAME | DESCRIPTION | PRODUCT CODE | LIGHT SOURCE* | LIGHT SOURCE MAX LENGTH/DIA. | EXCL. VAT | INCL. VAT | EXCL. VAT | INCL. VAT | EXCL. VAT | INCL.VAT | EXCL. VAT | INCL. VAT | EXCL. VAT |
| Volume LED fade-to-grey | Die-cast aluminium, acrylic | 34191212 | 3x1W OSRAM OSOLON SSL 150 (350 MA) 2700 K | - | 1.196,- | 1.495,- | 1.500,- | 1.875,- | 1.540,- | 1.925,- | 150,- | 180,- | 162,- |
| Volume LED evergreen | Die-cast aluminium, acrylic | 34191306 | | - | 1.196,- | 1.495,- | 1.500,- | 1.875,- | 1.540,- | 1.925,- | 150,- | 180,- | 162,- |
| Volume LED blackbird | Die-cast aluminium, acrylic | 34191409 | | - | 1.196,- | 1.495,- | 1.500,- | 1.875,- | 1.540,- | 1.925,- | 150,- | 180,- | 162,- |
| ENERGY LABEL Built-in Light Emitting Diode, A+ | | | | | | | | | | | CE, IP20, Class II | | |



Minimum order quantity 2 pcs. Only delivered in even quantities.

SPARE PARTS

| AEON ROCKET™ | | | DKK | | SEK | | NOK | | GBP | | EURO |
|----------------------------------|--------------|----------------|-----------|-----------|-----------|-----------|-----------|-----------|-----------|-----------|-----------|
| PRODUCT NAME | PRODUCT CODE | DESCRIPTION | EXCL. VAT | INCL. VAT | EXCL. VAT | INCL. VAT | EXCL. VAT | INCL. VAT | EXCL. VAT | INCL. VAT | EXCL. VAT |
| 6 m cord for P1, P3 - Aeon Black | 18614312 | Grey85 textile | 316,00 | 395,00 | 404,00 | 505,00 | 392,00 | 490,00 | 37,00 | 44,40 | 43,00 |
| 6 m cord for P1, P3 - Aeon Grey | 18174712 | Grey25 textile | 316,00 | 395,00 | 404,00 | 505,00 | 392,00 | 490,00 | 37,00 | 44,40 | 43,00 |
| Bulb cover - P1 | 18608000 | White | 116,00 | 145,00 | 148,00 | 185,00 | 144,00 | 180,00 | 13,00 | 15,60 | 16,00 |
| Bulb cover - P3 | 18608100 | White | 196,00 | 245,00 | 252,00 | 315,00 | 244,00 | 305,00 | 23,00 | 27,60 | 27,00 |

| ATOMHEART™ | | | DKK | | SEK | | NOK | | GBP | | EURO |
|------------------|--------------|-----------------------|-----------|-----------|-----------|-----------|-----------|-----------|-----------|-----------|-----------|
| PRODUCT NAME | PRODUCT CODE | DESCRIPTION | EXCL. VAT | INCL. VAT | EXCL. VAT | INCL. VAT | EXCL. VAT | INCL. VAT | EXCL. VAT | INCL. VAT | EXCL. VAT |
| Glass shade - P1 | 16175013 | Hand-blown opal glass | 1.916,00 | 2.395,00 | 2.460,00 | 3.075,00 | 2.388,00 | 2.985,00 | 223,00 | 267,60 | 256,00 |
| Glass shade - P2 | 16175113 | Hand-blown opal glass | 2.876,00 | 3.595,00 | 3.692,00 | 4.615,00 | 3.584,00 | 4.480,00 | 334,00 | 400,80 | 384,00 |

| BULB FICTION™ | | | DKK | | SEK | | NOK | | GBP | | EURO |
|---------------|--------------|------------------|-----------|-----------|-----------|-----------|-----------|-----------|-----------|-----------|-----------|
| PRODUCT NAME | PRODUCT CODE | DESCRIPTION | EXCL. VAT | INCL. VAT | EXCL. VAT | INCL. VAT | EXCL. VAT | INCL. VAT | EXCL. VAT | INCL. VAT | EXCL. VAT |
| Glass shade | 18196305 | Hand-blown glass | 276,00 | 345,00 | 356,00 | 445,00 | 344,00 | 430,00 | 32,00 | 38,40 | 37,00 |
| Canopy | 18469005 | White | 52,00 | 65,00 | 68,00 | 85,00 | 64,00 | 80,00 | 6,00 | 7,20 | 7,00 |

| CONCERT™ | | | DKK | | SEK | | NOK | | GBP | | EURO |
|--------------------------|--------------|--------------------------|-----------|-----------|-----------|-----------|-----------|-----------|-----------|-----------|-----------|
| PRODUCT NAME | PRODUCT CODE | DESCRIPTION | EXCL. VAT | INCL. VAT | EXCL. VAT | INCL. VAT | EXCL. VAT | INCL. VAT | EXCL. VAT | INCL. VAT | EXCL. VAT |
| Suspension P1 - 3 m cord | 18166505 | E27 suspension with cord | 796,00 | 995,00 | 1.024,00 | 1.280,00 | 992,00 | 1.240,00 | 93,00 | 111,60 | 107,00 |
| Suspension P3 - 3 m cord | 18166405 | E27 suspension with cord | 876,00 | 1.095,00 | 1.124,00 | 1.405,00 | 1.092,00 | 1.365,00 | 102,00 | 122,40 | 117,00 |

| CARAVAGGIO™ | | | DKK | | SEK | | NOK | | GBP | | EURO |
|--|--------------|---------------|-----------|-----------|-----------|-----------|-----------|-----------|-----------|-----------|-----------|
| PRODUCT NAME | PRODUCT CODE | DESCRIPTION | EXCL. VAT | INCL. VAT | EXCL. VAT | INCL. VAT | EXCL. VAT | INCL. VAT | EXCL. VAT | INCL. VAT | EXCL. VAT |
| 6 m cord for P1, P2, P3 - red | 18162401 | Red textile | 316,00 | 395,00 | 404,00 | 505,00 | 392,00 | 490,00 | 37,00 | 44,40 | 43,00 |
| 6 m cord for P1, P2, P3 - grey | 18162212 | Grey textile | 316,00 | 395,00 | 404,00 | 505,00 | 392,00 | 490,00 | 37,00 | 44,40 | 43,00 |
| 6 m cord for P1, P2, P3 - black | 18164908 | Black textile | 316,00 | 395,00 | 404,00 | 505,00 | 392,00 | 490,00 | 37,00 | 44,40 | 43,00 |
| 6 m cord for P4 E27 - red with wire | 18163301 | Red textile | 476,00 | 595,00 | 612,00 | 765,00 | 592,00 | 740,00 | 55,00 | 66,00 | 64,00 |
| 6 m cord for P4 E27 - grey with wire | 18163212 | Grey textile | 476,00 | 595,00 | 612,00 | 765,00 | 592,00 | 740,00 | 55,00 | 66,00 | 64,00 |
| 6 m cord for P4 E27 - black with wire | 18165708 | Black textile | 476,00 | 595,00 | 612,00 | 765,00 | 592,00 | 740,00 | 55,00 | 66,00 | 64,00 |
| 6 m cord for P4 (2 x 42W) - red with wire | 18163501 | Red textile | 1.036,00 | 1.295,00 | 1.332,00 | 1.665,00 | 1.292,00 | 1.615,00 | 120,00 | 144,00 | 139,00 |
| 6 m cord for P4 (2 x 42W) - grey with wire | 18163412 | Grey textile | 1.036,00 | 1.295,00 | 1.332,00 | 1.665,00 | 1.292,00 | 1.615,00 | 120,00 | 144,00 | 139,00 |

| CARAVAGGIO™ | | | DKK | | SEK | | NOK | | GBP | | EURO |
|--|--------------|------------------------|-----------|-----------|-----------|-----------|-----------|-----------|-----------|-----------|-----------|
| PRODUCT NAME | PRODUCT CODE | DESCRIPTION | EXCL. VAT | INCL. VAT | EXCL. VAT | INCL. VAT | EXCL. VAT | INCL. VAT | EXCL. VAT | INCL. VAT | EXCL. VAT |
| G9 suspension for P0 - 3 m grey cord | 18603112 | Suspension, grey cord | 556,00 | 695,00 | 716,00 | 895,00 | 692,00 | 865,00 | 65,00 | 78,00 | 75,00 |
| G9 suspension for P0 - 3 m red cord | 18603001 | Suspension, red cord | 556,00 | 695,00 | 716,00 | 895,00 | 692,00 | 865,00 | 65,00 | 78,00 | 75,00 |
| G9 suspension for P0 - 3 m black cord | 18603208 | Suspension, black cord | 556,00 | 695,00 | 716,00 | 895,00 | 692,00 | 865,00 | 65,00 | 78,00 | 75,00 |
| E27 suspension for P1 - 6 m grey cord | 18604812 | Suspension, grey cord | 636,00 | 795,00 | 816,00 | 1.020,00 | 792,00 | 990,00 | 74,00 | 88,80 | 85,00 |
| E27 suspension for P1 - 6 m red cord | 18604701 | Suspension, red cord | 636,00 | 795,00 | 816,00 | 1.020,00 | 792,00 | 990,00 | 74,00 | 88,80 | 85,00 |
| E27 suspension for P1 - 6 m black cord | 18605008 | Suspension, black cord | 636,00 | 795,00 | 816,00 | 1.020,00 | 792,00 | 990,00 | 74,00 | 88,80 | 85,00 |
| E27 suspension for P2 - 6 m grey cord | 18605712 | Suspension, grey cord | 716,00 | 895,00 | 920,00 | 1.150,00 | 892,00 | 1.115,00 | 83,00 | 99,60 | 96,00 |
| E27 suspension for P2 - 6 m red cord | 18607601 | Suspension, red cord | 716,00 | 895,00 | 920,00 | 1.150,00 | 892,00 | 1.115,00 | 83,00 | 99,60 | 96,00 |
| E27 suspension for P2 - 6 m black cord | 18605908 | Suspension, black cord | 716,00 | 895,00 | 920,00 | 1.150,00 | 892,00 | 1.115,00 | 83,00 | 99,60 | 96,00 |
| E27 suspension for P3 - 6 m grey cord | 18609712 | Suspension, grey cord | 876,00 | 1.095,00 | 1.124,00 | 1.405,00 | 1.092,00 | 1.365,00 | 102,00 | 122,40 | 117,00 |
| E27 suspension for P3 - 6 m red cord | 18609501 | Suspension, red cord | 876,00 | 1.095,00 | 1.124,00 | 1.405,00 | 1.092,00 | 1.365,00 | 102,00 | 122,40 | 117,00 |
| E27 suspension for P3 - 6 m black cord | 18609908 | Suspension, black cord | 876,00 | 1.095,00 | 1.124,00 | 1.405,00 | 1.092,00 | 1.365,00 | 102,00 | 122,40 | 117,00 |
| E27 suspension for P4 - 6 m grey cord | 18169305 | Suspension, grey cord | 1.036,00 | 1.295,00 | 1.332,00 | 1.665,00 | 1.292,00 | 1.615,00 | 120,00 | 144,00 | 139,00 |
| E27 suspension for P4 - 6 m red cord | 18169208 | Suspension, red cord | 1.036,00 | 1.295,00 | 1.332,00 | 1.665,00 | 1.292,00 | 1.615,00 | 120,00 | 144,00 | 139,00 |
| E27 suspension for P4 - 6 m black cord | 18172008 | Suspension, black cord | 1.036,00 | 1.295,00 | 1.332,00 | 1.665,00 | 1.292,00 | 1.615,00 | 120,00 | 144,00 | 139,00 |

| CARAVAGGIO™ MATT | | | DKK | | SEK | | NOK | | GBP | | EURO |
|--|--------------|-------------------------|-----------|-----------|-----------|-----------|-----------|-----------|-----------|-----------|-----------|
| PRODUCT NAME | PRODUCT CODE | DESCRIPTION | EXCL. VAT | INCL. VAT | EXCL. VAT | INCL. VAT | EXCL. VAT | INCL. VAT | EXCL. VAT | INCL. VAT | EXCL. VAT |
| 6 m cord for P1, P2, P3 - white | 18174205 | White textile | 316,00 | 395,00 | 404,00 | 505,00 | 392,00 | 490,00 | 37,00 | 44,40 | 43,00 |
| 6 m cord for P1, P2, P3 - grey25 | 18174712 | Grey25 textile | 316,00 | 395,00 | 404,00 | 505,00 | 392,00 | 490,00 | 37,00 | 44,40 | 43,00 |
| 6 m cord for P1, P2, P3 - grey45 | 18176212 | Grey45 textile | 316,00 | 395,00 | 404,00 | 505,00 | 392,00 | 490,00 | 37,00 | 44,40 | 43,00 |
| 6 m cord for P4 (E27) - white with wire | 18174813 | White textile | 476,00 | 595,00 | 612,00 | 765,00 | 592,00 | 740,00 | 55,00 | 66,00 | 64,00 |
| 6 m cord for P4 (E27) - grey25 with wire | 18174912 | Grey25 textile | 476,00 | 595,00 | 612,00 | 765,00 | 592,00 | 740,00 | 55,00 | 66,00 | 64,00 |
| 6 m cord for P4 (E27) - grey45 with wire | 18176312 | Grey45 textile | 476,00 | 595,00 | 612,00 | 765,00 | 592,00 | 740,00 | 55,00 | 66,00 | 64,00 |
| E27 suspension for P1 - 6 m white cord | 18605205 | Suspension, white cord | 636,00 | 795,00 | 816,00 | 1.020,00 | 792,00 | 990,00 | 74,00 | 88,80 | 85,00 |
| E27 suspension for P1 - 6 m grey25 cord | 18605412 | Suspension, grey25 cord | 636,00 | 795,00 | 816,00 | 1.020,00 | 792,00 | 990,00 | 74,00 | 88,80 | 85,00 |
| E27 suspension for P1 - 6 m grey45 cord | 18605612 | Suspension, grey45 cord | 636,00 | 795,00 | 816,00 | 1.020,00 | 792,00 | 990,00 | 74,00 | 88,80 | 85,00 |
| E27 suspension for P2 - 6 m white cord | 18606105 | Suspension, white cord | 716,00 | 895,00 | 920,00 | 1.150,00 | 892,00 | 1.115,00 | 83,00 | 99,60 | 96,00 |
| E27 suspension for P2 - 6 m grey25 cord | 18606312 | Suspension, grey25 cord | 716,00 | 895,00 | 920,00 | 1.150,00 | 892,00 | 1.115,00 | 83,00 | 99,60 | 96,00 |
| E27 suspension for P2 - 6 m grey45 cord | 18606512 | Suspension, grey45 cord | 716,00 | 895,00 | 920,00 | 1.150,00 | 892,00 | 1.115,00 | 83,00 | 99,60 | 96,00 |
| E27 suspension for P3 - 6 m white cord | 18610605 | Suspension, white cord | 876,00 | 1.095,00 | 1.124,00 | 1.405,00 | 1.092,00 | 1.365,00 | 102,00 | 122,40 | 117,00 |
| E27 suspension for P3 - 6 m grey25 cord | 18610812 | Suspension, grey25 cord | 876,00 | 1.095,00 | 1.124,00 | 1.405,00 | 1.092,00 | 1.365,00 | 102,00 | 122,40 | 117,00 |
| E27 suspension for P3 - 6 m grey45 cord | 18611012 | Suspension, grey45 cord | 876,00 | 1.095,00 | 1.124,00 | 1.405,00 | 1.092,00 | 1.365,00 | 102,00 | 122,40 | 117,00 |
| E27 suspension for P4 - 6 m white cord | 14031613 | Suspension, white cord | 1.036,00 | 1.295,00 | 1.332,00 | 1.665,00 | 1.292,00 | 1.615,00 | 120,00 | 144,00 | 139,00 |
| E27 suspension for P4 - 6 m grey25 cord | 14033612 | Suspension, grey25 cord | 1.036,00 | 1.295,00 | 1.332,00 | 1.665,00 | 1.292,00 | 1.615,00 | 120,00 | 144,00 | 139,00 |
| E27 suspension for P4 - 6 m grey45 cord | 14035612 | Suspension, grey45 cord | 1.036,00 | 1.295,00 | 1.332,00 | 1.665,00 | 1.292,00 | 1.615,00 | 120,00 | 144,00 | 139,00 |

| CARAVAGGIO™ OPAL | | | DKK | | SEK | | NOK | | GBP | | EURO |
|---|--------------|-------------------------|-----------|-----------|-----------|-----------|-----------|-----------|-----------|-----------|-----------|
| PRODUCT NAME | PRODUCT CODE | DESCRIPTION | EXCL. VAT | INCL. VAT | EXCL. VAT | INCL. VAT | EXCL. VAT | INCL. VAT | EXCL. VAT | INCL. VAT | EXCL. VAT |
| Glass shade - P0 | 16168605 | Hand-blown opal glass | 876,00 | 1.095,00 | 1.124,00 | 1.405,00 | 1.092,00 | 1.365,00 | 102,00 | 122,40 | 117,00 |
| Glass shade - P1 | 16168705 | Hand-blown opal glass | 1.196,00 | 1.495,00 | 1.536,00 | 1.920,00 | 1.488,00 | 1.860,00 | 139,00 | 166,80 | 160,00 |
| Glass shade - P2 | 16168805 | Hand-blown opal glass | 2.076,00 | 2.595,00 | 2.664,00 | 3.330,00 | 2.584,00 | 3.230,00 | 241,00 | 289,20 | 277,00 |
| Glass shade - P3 | 16168905 | Hand-blown opal glass | 3.756,00 | 4.695,00 | 4.824,00 | 6.030,00 | 4.680,00 | 5.850,00 | 437,00 | 524,40 | 501,00 |
| 6 m cord for P1 - silver | 18168372 | Silver textile | 316,00 | 395,00 | 404,00 | 505,00 | 392,00 | 490,00 | 37,00 | 44,40 | 43,00 |
| 6 m cord + wire for P2, P3 - silver | 18168572 | Silver textile | 476,00 | 595,00 | 612,00 | 765,00 | 592,00 | 740,00 | 55,00 | 66,00 | 64,00 |
| E27 suspension for P1 - 6 m silver cord | 18621572 | Suspension, silver cord | 636,00 | 795,00 | 816,00 | 1.020,00 | 792,00 | 990,00 | 74,00 | 88,80 | 85,00 |
| E27 suspension for P2 - 6 m silver cord | 18621772 | Suspension, silver cord | 796,00 | 995,00 | 1.024,00 | 1.280,00 | 992,00 | 1.240,00 | 93,00 | 111,60 | 107,00 |
| E27 suspension for P3 - 6 m silver cord | 18621972 | Suspension, silver cord | 1.036,00 | 1.295,00 | 1.332,00 | 1.665,00 | 1.292,00 | 1.615,00 | 120,00 | 144,00 | 139,00 |

| LULLABY™ | | | DKK | | SEK | | NOK | | GBP | | EURO |
|---------------------------------|--------------|---------------|-----------|-----------|-----------|-----------|-----------|-----------|-----------|-----------|-----------|
| PRODUCT NAME | PRODUCT CODE | DESCRIPTION | EXCL. VAT | INCL. VAT | EXCL. VAT | INCL. VAT | EXCL. VAT | INCL. VAT | EXCL. VAT | INCL. VAT | EXCL. VAT |
| 6 m cord for P1, P2, P3 - white | 18174205 | White textile | 316,00 | 395,00 | 404,00 | 505,00 | 392,00 | 490,00 | 37,00 | 44,40 | 43,00 |

| MINGUST™ | | | DKK | | SEK | | NOK | | GBP | | EURO |
|------------------------------|--------------|----------------|-----------|-----------|-----------|-----------|-----------|-----------|-----------|-----------|-----------|
| PRODUCT NAME | PRODUCT CODE | DESCRIPTION | EXCL. VAT | INCL. VAT | EXCL. VAT | INCL. VAT | EXCL. VAT | INCL. VAT | EXCL. VAT | INCL. VAT | EXCL. VAT |
| 6 m cord for P1, P2 - white | 18174205 | White textile | 316,00 | 395,00 | 404,00 | 505,00 | 392,00 | 490,00 | 37,00 | 44,40 | 43,00 |
| 6 m cord for P1, P2 - grey25 | 18174712 | Grey25 textile | 316,00 | 395,00 | 404,00 | 505,00 | 392,00 | 490,00 | 37,00 | 44,40 | 43,00 |

| ORIENT™ / ORIENT™ BLACK | | | DKK | | SEK | | NOK | | GBP | | EURO |
|--|--------------|------------------------|-----------|-----------|-----------|-----------|-----------|-----------|-----------|-----------|-----------|
| PRODUCT NAME | PRODUCT CODE | DESCRIPTION | EXCL. VAT | INCL. VAT | EXCL. VAT | INCL. VAT | EXCL. VAT | INCL. VAT | EXCL. VAT | INCL. VAT | EXCL. VAT |
| E27 suspension P1 - 6 m black cord | 18194851 | Suspension, black cord | 516,00 | 645,00 | 664,00 | 830,00 | 644,00 | 805,00 | 60,00 | 72,00 | 69,00 |
| E27 suspension P2, P3 - 6 m black cord | 18194952 | Suspension, black cord | 556,00 | 695,00 | 716,00 | 895,00 | 692,00 | 865,00 | 65,00 | 78,00 | 75,00 |

| PALLAS™ | | | DKK | | SEK | | NOK | | GBP | | EURO |
|--------------|--------------|-------------------------|-----------|-----------|-----------|-----------|-----------|-----------|-----------|-----------|-----------|
| PRODUCT NAME | PRODUCT CODE | DESCRIPTION | EXCL. VAT | INCL. VAT | EXCL. VAT | INCL. VAT | EXCL. VAT | INCL. VAT | EXCL. VAT | INCL. VAT | EXCL. VAT |
| Glass shade | 24201113 | Acid treated opal glass | 1.596,00 | 1.995,00 | 2.048,00 | 2.560,00 | 1.988,00 | 2.485,00 | 186,00 | 223,20 | 213,00 |

| SUSPENCE™ / SUSPENCE™ NOMAD | | | DKK | | SEK | | NOK | | GBP | | EURO |
|---------------------------------------|--------------|------------------------|-----------|-----------|-----------|-----------|-----------|-----------|-----------|-----------|-----------|
| PRODUCT NAME | PRODUCT CODE | DESCRIPTION | EXCL. VAT | INCL. VAT | EXCL. VAT | INCL. VAT | EXCL. VAT | INCL. VAT | EXCL. VAT | INCL. VAT | EXCL. VAT |
| Infinity diffuser P1 | 18617440 | Opal Polycarbonat (PC) | 156,00 | 195,00 | 200,00 | 250,00 | 196,00 | 245,00 | 18,00 | 21,60 | 21,00 |
| Infinity diffuser P2 + SUSPENCE NOMAD | 18617540 | Opal Polycarbonat (PC) | 236,00 | 295,00 | 304,00 | 380,00 | 292,00 | 365,00 | 27,00 | 32,40 | 32,00 |

| OTHER | | | DKK | | SEK | | NOK | | GBP | | EURO |
|-------------------------------|--------------|-------------|-----------|-----------|-----------|-----------|-----------|-----------|-----------|-----------|-----------|
| PRODUCT NAME | PRODUCT CODE | DESCRIPTION | EXCL. VAT | INCL. VAT | EXCL. VAT | INCL. VAT | EXCL. VAT | INCL. VAT | EXCL. VAT | INCL. VAT | EXCL. VAT |
| Canopy for pendants with wire | 18177200 | White | 76,00 | 95,00 | 96,00 | 120,00 | 96,00 | 120,00 | 9,00 | 10,80 | 11,00 |
| Canopy | 18158105 | White | 52,00 | 65,00 | 68,00 | 85,00 | 64,00 | 80,00 | 6,00 | 7,20 | 7,00 |
| Canopy | 18158008 | Black | 52,00 | 65,00 | 68,00 | 85,00 | 64,00 | 80,00 | 6,00 | 7,20 | 7,00 |

LIGHT SOURCE RECOMMENDATIONS

Our recommended light sources are available on:

www.lightyears.dk - LIGHT SOURCES OVERVIEW



PLEASE NOTE - THAT WE DO NOT PROVIDE DEALER DISCOUNT ON LIGHT SOURCE PURCHASES.

SHIPPING FACTS

| AQ01™ | | | | | |
|--------------|--------|-------------|--------------------|------------------------------------|-------------|
| PRODUCT NAME | BOXES | DESCRIPTION | WEIGHT NET GROSS | BOX DIMENSION VOLUME | PCS./MASTER |
| Plug-in | 1 pcs. | - | 0,5 kg 1,8 kg | 170x550x460 mm 0, m ³ | 2 |
| Table base | 1 pcs. | - | 4,3 kg 4,4 kg | 80x255x255 mm 0, m ³ | 3 |
| Wall base | 1 pcs. | - | 1,7 kg 3,9 kg | 95x85x85 mm 0, m ³ | 20 |

| AEON ROCKET™ | | | | | |
|----------------------|--------|-------------|--------------------|---|-------------|
| PRODUCT NAME | BOXES | DESCRIPTION | WEIGHT NET GROSS | BOX DIMENSION VOLUME | PCS./MASTER |
| Pendant 1 - 3 m cord | 1 pcs. | - | 2,5 kg 4,6 kg | 32 x 47 x 46 cm 0,0692 m ³ | 2 |
| Pendant 1 - 6 m cord | 1 pcs. | - | 2,6 kg 4,6 kg | 32 x 47 x 46 cm 0,0692 m ³ | 2 |
| Pendant 3 - 6 m cord | 1 pcs. | - | 3,2 kg 8,0 kg | 41 x 66 x 66 cm 0,1786 m ³ | 2 |

| ATOMHEART™ | | | | | |
|----------------------|--------|----------------|--------------------|--|-------------|
| PRODUCT NAME | BOXES | DESCRIPTION | WEIGHT NET GROSS | BOX DIMENSION VOLUME | PCS./MASTER |
| Pendant 1 - 3 m cord | 2 pcs. | Suspension E14 | 0,5 kg 0,7 kg | 9,5 x 13,5 x 19 cm 0,0024 m ³ | 12 |
| | | Glass | 1,8 kg 3,0 kg | 31 x 36 x 35 cm 0,0391 m ³ | 1 |
| Pendant 2 - 3 m cord | 2 pcs. | Suspension E27 | 0,5 kg 0,7 kg | 10 x14 x 19 cm 0,0027 m ³ | 12 |
| | | Glass | 6,7 kg 7,2 kg | 40 x 50 x 50 cm 0,1000 m ³ | 1 |

| AVION™ | | | | | |
|--------------------------|--------|------------------|--------------------|---|-------------|
| PRODUCT NAME | BOXES | DESCRIPTION | WEIGHT NET GROSS | BOX DIMENSION VOLUME | PCS./MASTER |
| Pendant E27 - 6 m cord | 2 pcs. | Shade | 5,0 kg 5,3 kg | 41 x 90 x 41 cm 0,1513 m ³ | 1 |
| | | Suspension E27 | 1,1 kg 2,7 kg | 42 x 45 x 19 cm 0,0359 m ³ | 1 |
| Pendant 2x42W - 6 m cord | 2 pcs. | Shade | 5,0 kg 5,3 kg | 41 x 90 x 41 cm 0,1512 m ³ | 1 |
| | | Suspension 2x42W | 1,7 kg 3,2 kg | 42 x 45 x 19 cm 0,0359 m ³ | 1 |
| Pendant DALI - 6 m cord | 2 pcs. | Shade | 5,0 kg 5,3 kg | 41 x 90 x 41 cm 0,0350 m ³ | 1 |
| | | Suspension DALI | 1,7 kg 3,2 kg | 42 x 45 x 19 cm 0,1545 m ³ | 1 |
| Canopy | 1 pcs. | - | 1,4 kg 2,5 kg | 10 x 42 x 42 cm 0,0176 m ³ | 1 |

| CALABASH™ | | | | | |
|----------------------|--------|-------------|--------------------|---|-------------|
| PRODUCT NAME | BOXES | DESCRIPTION | WEIGHT NET GROSS | BOX DIMENSION VOLUME | PCS./MASTER |
| Pendant 1 - 3 m cord | 1 pcs. | - | 0,6 kg 1,0 kg | 27 x 23 x 23 cm 0,0143 m ³ | 4 |
| Pendant 1 - 6 m cord | 1 pcs. | - | 0,7 kg 1,1 kg | 27 x 23 x 23 cm 0,0143 m ³ | 4 |
| Pendant 2 - 3 m cord | 1 pcs. | - | 0,8 kg 1,6 kg | 38 x 26,5 x 26,5 cm 0,0267 m ³ | 4 |
| Pendant 2 - 6 m cord | 1 pcs. | - | 0,9 kg 1,7 kg | 38 x 26,5 x 26,5 cm 0,0267 m ³ | 4 |
| Pendant 3 - 3 m cord | 1 pcs. | - | 1,6 kg 3,6 kg | 56 x 39,5 x 39 cm 0,0863 m ³ | 2 |
| Pendant 3 - 6 m cord | 1 pcs. | - | 1,7 kg 3,7 kg | 56 x 39,5 x 39 cm 0,0863 m ³ | 2 |

| BULB FICTION™ | | | | | |
|----------------------|--------|-------------|--------------------|---|-------------|
| PRODUCT NAME | BOXES | DESCRIPTION | WEIGHT NET GROSS | BOX DIMENSION VOLUME | PCS./MASTER |
| Pendant 1 - 3 m cord | 1 pcs. | - | 0,9 kg 1,4 kg | 49 x 22 x 22 cm 0,0237 m ³ | 6 |
| Pendant 1 - 6 m cord | 1 pcs. | - | 1,1 kg 1,6 kg | 49 x 22 x 22 cm 0,0237 m ³ | 6 |

| CARAVAGGIO™ | | | | | |
|------------------------------|--------|------------------|--------------------|---|-------------|
| PRODUCT NAME | BOXES | DESCRIPTION | WEIGHT NET GROSS | BOX DIMENSION VOLUME | PCS./MASTER |
| Pendant 0 - 3 m cord | 1 pcs. | - | 0,3 kg 0,5 kg | 18 x 13 x 13 cm 0,0030 m ³ | 32 |
| Pendant 1 - 3 m cord | 1 pcs. | - | 0,7 kg 1,5 kg | 30 x 20,5 x 20,5 cm 0,0126 m ³ | 8 |
| Pendant 1 - 6 m cord | 1 pcs. | - | 0,8 kg 1,6 kg | 30 x 20,5 x 20,5 cm 0,0126 m ³ | 8 |
| Pendant 2 - 3 m cord | 1 pcs. | - | 1,0 kg 2,5 kg | 40 x 32 x 30 cm 0,0384 m ³ | 4 |
| Pendant 2 - 6 m cord | 1 pcs. | - | 1,1 kg 2,6 kg | 40 x 32 x 30 cm 0,0384 m ³ | 4 |
| Pendant 3 - 3 m cord | 1 pcs. | - | 2,2 kg 4,4 kg | 57 x 45 x 45 cm 0,1154 m ³ | 2 |
| Pendant 3 - 6 m cord | 1 pcs. | - | 2,3 kg 4,5 kg | 57 x 45 x 45 cm 0,1154 m ³ | 2 |
| Pendant 4 - E27 - 6 m cord | 2 pcs. | Shade | 2,9 kg 3,9 kg | 84 x 64 x 64 cm 0,3441 m ³ | 3 |
| | | Suspension E27 | 0,9 kg 1,2 kg | 10 x 16 x 24,5 cm 0,0039 m ³ | 20 |
| Pendant 4 - 2x42W - 6 m cord | 2 pcs. | Shade | 2,9 kg 3,9 kg | 84 x 64 x 64 cm 0,3441 m ³ | 3 |
| | | Suspension 2x42W | 1,5 kg 2,0 kg | 40 x 24,5 x 25 cm 0,0245 m ³ | 8 |
| Pendant 4 - DALI - 6 m cord | 2 pcs. | Shade | 2,9 kg 3,9 kg | 84 x 64 x 64 cm 0,3441 m ³ | 3 |
| | | Suspension DALI | 1,5 kg 2,0 kg | 40 x 24,5 x 25 cm 0,0245 m ³ | 8 |
| Table | 1 pcs. | - | 1,6 kg 2,8 kg | 58,5 x 26 x 26 cm 0,0395 m ³ | 4 |
| Table plug-in | 1 pcs. | - | 1,2 kg 2,4 kg | 63 x 26 x 26 cm 0,0426 m ³ | 4 |
| Floor | 2 pcs. | Base | 6,0 kg 12,4 kg | 150 x 44 x 44 cm 0,2904 m ³ | 1 |
| | | Shade | 1,5 kg 2,8 kg | 48,5 x 45 x 45 cm 0,0982 m ³ | 1 |

| CARAVAGGIO™ MATT | | | | | |
|----------------------------|--------|----------------|--------------------|---|-------------|
| PRODUCT NAME | BOXES | DESCRIPTION | WEIGHT NET GROSS | BOX DIMENSION VOLUME | PCS./MASTER |
| Pendant 1 - 3 m cord | 1 pcs. | - | 0,7 kg 1,5 kg | 30 x 20,5 x 20,5 cm 0,0126 m ³ | 8 |
| Pendant 1 - 6 m cord | 1 pcs. | - | 0,8 kg 1,6 kg | 30 x 20,5 x 20,5 cm 0,0126 m ³ | 8 |
| Pendant 2 - 3 m cord | 1 pcs. | - | 1,0 kg 2,5 kg | 40 x 32 x 30 cm 0,0384 m ³ | 4 |
| Pendant 2 - 6 m cord | 1 pcs. | - | 1,1 kg 2,6 kg | 40 x 32 x 30 cm 0,0384 m ³ | 4 |
| Pendant 3 - 3 m cord | 1 pcs. | - | 2,2 kg 4,4 kg | 57 x 45 x 45 cm 0,1154 m ³ | 2 |
| Pendant 3 - 6 m cord | 1 pcs. | - | 2,3 kg 4,5 kg | 57 x 45 x 45 cm 0,1154 m ³ | 2 |
| Pendant 4 - E27 - 6 m cord | 2 pcs. | Shade | 2,9 kg 3,9 kg | 84 x 64 x 64 cm 0,3441 m ³ | 3 |
| | | Suspension E27 | 0,9 kg 1,2 kg | 10 x 16 x 24,5 cm 0,0039 m ³ | 20 |
| Table | 1 pcs. | - | 1,6 kg 2,8 kg | 58,5 x 26 x 26 cm 0,0395 m ³ | 4 |
| Table plug-in | 1 pcs. | - | 1,2 kg 2,4 kg | 63 x 26 x 26 cm 0,0426 m ³ | 4 |
| Floor | 2 pcs. | Base | 6,0 kg 12,4 kg | 43 x 44 x 150 cm 0,2838 m ³ | 1 |
| | | Shade | 1,5 kg 2,8 kg | 48,5 x 45 x 45 cm 0,0982 m ³ | 2 |

| CARAVAGGIO™ OPAL | | | | | |
|---------------------------|--------|-------------|--------------------|--|-------------|
| PRODUCT NAME | BOXES | DESCRIPTION | WEIGHT NET GROSS | BOX DIMENSION VOLUME | PCS./MASTER |
| Pendant 0 - 3 m cord | 1 pcs. | - | 0,4 kg 0,7 kg | 260x190x190 mm 0,0094 m ³ | 1 |
| Pendant 1 - 3 m cord | 1 pcs. | - | 0,9 kg 1,4 kg | 315x240x240 mm 0,0181 m ³ | 1 |
| Pendant 1 - 6 m cord | 1 pcs. | - | 1,0 kg 1,5 kg | 315x240x240 mm 0,0181 m ³ | 1 |
| Pendant 2 - 3 m cord/wire | 1 pcs. | - | 2,0 kg 2,8 kg | 415x335x355 mm 0,0494 m ³ | 1 |
| Pendant 2 - 6 m cord/wire | 1 pcs. | - | 2,1 kg 2,9 kg | 415x335x355 mm 0,0494 m ³ | 1 |
| Pendant 3 - 3 m cord/wire | 1 pcs. | - | 6,0 kg 6,2 kg | 570x475x475 mm 0,1286 m ³ | 1 |
| Pendant 3 - 6 m cord/wire | 1 pcs. | - | 6,0 kg 6,3 kg | 570x475x475 mm 0,1286 m ³ | 1 |

| CARAVAGGIO™ DIFFUSER | | | | | |
|----------------------|--------|-------------|--------------------|---------------------------------------|-------------|
| PRODUCT NAME | BOXES | DESCRIPTION | WEIGHT NET GROSS | BOX DIMENSION VOLUME | PCS./MASTER |
| Diffuser P3 | 1 pcs. | - | 0,3 kg 0,4 kg | 520x530x10 mm 0,0028 m ³ | 1 |
| Diffuser P4 E27 | 1 pcs. | - | 0,3 kg 0,4 kg | 520x530x10 mm 0,0028 m ³ | 1 |

| CARAVAGGIO™ READ | | | | | |
|------------------|--------|-------------|--------------------|---|-------------|
| PRODUCT NAME | BOXES | DESCRIPTION | WEIGHT NET GROSS | BOX DIMENSION VOLUME | PCS./MASTER |
| Wall | 1 pcs. | - | 1,4 kg 2,0 kg | 190x260x400 mm 0,0198 m ³ | 4 |
| Wall opal | 1 pcs. | - | 1,6 kg 2,3 kg | 190x260x400 mm 0,0198 m ³ | 4 |
| Table | 1 pcs. | - | 5,2 kg 7,3 kg | 220x570x430 mm 0,0539 m ³ | 2 |
| Table opal | 1 pcs. | - | 5,4 kg 7,6 kg | 220x570x430 mm 0,0539 m ³ | 2 |
| Floor | 1 pcs. | - | 7,5 kg 13,0 kg | 250x470x1180 mm 0,1387 m ³ | 1 |
| Floor opal | 1 pcs. | - | 7,7 kg 13,3 kg | 250x470x1180 mm 0,1387 m ³ | 1 |

| CONCERT™ | | | | | |
|----------------------|--------|-------------|--------------------|--|-------------|
| PRODUCT NAME | BOXES | DESCRIPTION | WEIGHT NET GROSS | BOX DIMENSION VOLUME | PCS./MASTER |
| Pendant 1 - 3 m cord | 1 pcs. | - | 2,5 kg 3,0 kg | 320x360x360 mm 0,0415 m ³ | 8 |
| Pendant 3 - 6 m cord | 1 pcs. | - | 9,0 kg 9,7 kg | 460x620x620 mm 0,1768 m ³ | 1 |

| JUICY™ | | | | | |
|--------------|--------|-------------|--------------------|--|-------------|
| PRODUCT NAME | BOXES | DESCRIPTION | WEIGHT NET GROSS | BOX DIMENSION VOLUME | PCS./MASTER |
| Pendant | 1 pcs. | - | 2,1 kg 3,5 kg | 185x510x500 mm 0,0472 m ³ | 2 |

| KAISER IDELL™ | | | | | |
|---------------|---------|-------------|--------------------|--|-------------|
| PRODUCT NAME | BOXES | DESCRIPTION | WEIGHT NET GROSS | BOX DIMENSION VOLUME | PCS./MASTER |
| 6556-F | Floor | 1 pcs. | 5,2 kg 8,9 kg | 1280x350x420 mm 0,188 m ³ | 1 |
| 6556-T | Table | 1 pcs. | 2,4 kg 3,9 kg | 495x385x380 mm 0,0724 m ³ | 1 |
| 6580-F LUXUS | Floor | 1 pcs. | 6,5 kg 10,0 kg | 1280x350x420 mm 0,188 m ³ | 1 |
| 6631-P | Pendant | 1 pcs. | 1,0 kg 1,6 kg | 215x330x320 mm 0,0227 m ³ | 1 |
| 6631-T LUXUS | Table | 1 pcs. | 3,8 kg 6,1 kg | 495x385x380 mm 0,0724 m ³ | 1 |
| 6718-W | Wall | 1 pcs. | 1,8 kg 2,7 kg | 280x550x220 mm 0,0339 m ³ | 1 |

| LULLABY™ | | | | | |
|----------------------|--------|-------------|--------------------|--|-------------|
| PRODUCT NAME | BOXES | DESCRIPTION | WEIGHT NET GROSS | BOX DIMENSION VOLUME | PCS./MASTER |
| Pendant 1 - 3 m cord | 1 pcs. | - | 0,5 kg 1,3 kg | 300x300x300 mm 0,0270 m ³ | 4 |
| Pendant 2 - 3 m cord | 1 pcs. | - | 0,7 kg 2,8 kg | 500x490x475 mm 0,1164 m ³ | 1 |
| Pendant 2 - 6 m cord | 1 pcs. | - | 0,7 kg 2,8 kg | 500x490x475 mm 0,1164 m ³ | 1 |
| Pendant 3 - 6 m cord | 1 pcs. | - | 0,9 kg 5,1 kg | 665x595x620 mm 0,2453 m ³ | 1 |

| MINGUST™ | | | | | |
|----------------------|--------|-------------|--------------------|----------------------------|-------------|
| PRODUCT NAME | BOXES | DESCRIPTION | WEIGHT NET GROSS | BOX DIMENSION VOLUME | PCS./MASTER |
| Pendant 1 - 3 m cord | 1 pcs. | - | 0,8 kg 1,4 kg | 275x280x290 mm 0,0223 m³ | 6 |
| Pendant 1 - 6 m cord | 1 pcs. | - | 0,9 kg 1,5 kg | 275x280x290 mm 0,0223 m³ | 6 |
| Pendant 2 - 3 m cord | 1 pcs. | - | 1,6 kg 2,6 kg | 400x400x395 mm 0,0632 m³ | 2 |
| Pendant 2 - 6 m cord | 1 pcs. | - | 1,7 kg 2,7 kg | 400x400x395 mm 0,0632 m³ | 2 |

| NIGHT OWL™ | | | | | |
|--------------------|--------|-------------|--------------------|----------------------------|-------------|
| PRODUCT NAME | BOXES | DESCRIPTION | WEIGHT NET GROSS | BOX DIMENSION VOLUME | PCS./MASTER |
| Table - monochrome | 1 pcs. | - | 1,3 kg 2,2 kg | 230x285x270 mm 0,0177 m³ | 8 |
| Table - ash | 1 pcs. | - | 1,2 kg 2,1 kg | 230x285x270 mm 0,0177 m³ | 8 |

| ORIENT™ | | | | | |
|----------------------|--------|-------------|--------------------|----------------------------|-------------|
| PRODUCT NAME | BOXES | DESCRIPTION | WEIGHT NET GROSS | BOX DIMENSION VOLUME | PCS./MASTER |
| Pendant 1 - 3 m cord | 1 pcs. | - | 1,1 kg 1,7 kg | 300x280x280 mm 0,0235 m³ | 4 |
| Pendant 1 - 6 m cord | 1 pcs. | - | 1,2 kg 1,7 kg | 300x280x280 mm 0,0235 m³ | 4 |
| Pendant 2 - 3 m cord | 1 pcs. | - | 2,1 kg 3,3 kg | 420x400x390 mm 0,0655 m³ | 2 |
| Pendant 2 - 6 m cord | 1 pcs. | - | 2,2 kg 3,3 kg | 420x400x390 mm 0,0655 m³ | 2 |

| ORIENT™ BLACK | | | | | |
|----------------------|--------|-------------|--------------------|----------------------------|-------------|
| PRODUCT NAME | BOXES | DESCRIPTION | WEIGHT NET GROSS | BOX DIMENSION VOLUME | PCS./MASTER |
| Pendant 1 - 3 m cord | 1 pcs. | - | 0,6 kg 1,2 kg | 300x280x280 mm 0,0235 m³ | 4 |
| Pendant 1 - 6 m cord | 1 pcs. | - | 0,7 kg 1,2 kg | 300x280x280 mm 0,0235 m³ | 4 |
| Pendant 2 - 3 m cord | 1 pcs. | - | 1,0 kg 2,1 kg | 420x390x390 mm 0,0639 m³ | 2 |
| Pendant 2 - 6 m cord | 1 pcs. | - | 1,1 kg 2,1 kg | 420x390x390 mm 0,0639 m³ | 2 |
| Pendant 3 - 6 m cord | 1 pcs. | - | 1,9 kg 6,3 kg | 650x580x580 mm 0,2187 m³ | 1 |

| PALLAS™ | | | | | |
|--------------------|--------|-------------|--------------------|-----------------------------|-------------|
| PRODUCT NAME | BOXES | DESCRIPTION | WEIGHT NET GROSS | BOX DIMENSION VOLUME | PCS./MASTER |
| Pendant - 6 m cord | 1 pcs. | - | 11 kg 21 kg | 1200x800x990 mm 0,9504 m³ | 1 |

| PHARAOH™ | | | | | |
|--------------------|--------|-------------|--------------------|----------------------------|-------------|
| PRODUCT NAME | BOXES | DESCRIPTION | WEIGHT NET GROSS | BOX DIMENSION VOLUME | PCS./MASTER |
| Pendant - 3 m cord | 1 pcs. | - | 1,0 kg 2,3 kg | 405x400x400 mm 0,0648 m³ | 4 |

| RADON™ | | | | | |
|--------------|--------|-------------|--------------------|-----------------------------|-------------|
| PRODUCT NAME | BOXES | DESCRIPTION | WEIGHT NET GROSS | BOX DIMENSION VOLUME | PCS./MASTER |
| Wall | 1 pcs. | - | 1,4 kg 1,9 kg | 270x270x250 mm 0,0182 m³ | 4 |
| Table | 1 pcs. | - | 2,0 kg 2,5 kg | 270x270x580 mm 0,0423 m³ | 4 |
| Floor | 1 pcs. | - | 4,4 kg 5,2 kg | 270x270x1280 mm 0,0933 m³ | 2 |

| SUSPENCE™ / NOMAD / COPPER | | | | | |
|----------------------------------|--------|-------------|--------------------|----------------------------|-------------|
| PRODUCT NAME | BOXES | DESCRIPTION | WEIGHT NET GROSS | BOX DIMENSION VOLUME | PCS./MASTER |
| Pendant 1 - 3 m cord | 1 pcs. | - | 1,0 kg 1,7 kg | 290x300x310 mm 0,0270 m³ | 4 |
| Pendant 1 - 6 m cord | 1 pcs. | - | 1,1 kg 1,8 kg | 290x300x310 mm 0,0270 m³ | 4 |
| Pendant 1 Copper - 3 m cord | 1 pcs. | - | 1,4 kg 2,1 kg | 294x294x294 mm 0,0254 m³ | 4 |
| Pendant 1 Copper - 6 m cord | 1 pcs. | - | 1,5 kg 2,2 kg | 294x294x294 mm 0,0254 m³ | 4 |
| Pendant 2 - 3 m cord | 1 pcs. | - | 1,7 kg 3,9 kg | 420x450x460 mm 0,0869 m³ | 2 |
| Pendant 2 - 6 m cord | 1 pcs. | - | 1,8 kg 4,0 kg | 420x450x460 mm 0,0869 m³ | 2 |
| Pendant 2 Copper - 3 m cord/wire | 1 pcs. | - | 3,1 kg 5,3 kg | 445x420x445 mm 0,0831 m³ | 2 |
| Pendant 2 Copper - 6 m cord/wire | 1 pcs. | - | 3,2 kg 5,4 kg | 445x420x445 mm 0,0831 m³ | 2 |
| Nomad floorlamp | 1 pcs. | - | 1,6 kg 2,5 kg | 410x390x390 mm 0,0624 m³ | 2 |

| TAKERU™ | | | | | |
|--------------|--------|-------------|--------------------|----------------------------|-------------|
| PRODUCT NAME | BOXES | DESCRIPTION | WEIGHT NET GROSS | BOX DIMENSION VOLUME | PCS./MASTER |
| Wall | 1 pcs. | - | 1,0 kg 1,2 kg | 150x250x210 mm 0,0079 m³ | 12 |

| VOLUME™ | | | | | |
|--------------|--------|-------------|--------------------|----------------------------|-------------|
| PRODUCT NAME | BOXES | DESCRIPTION | WEIGHT NET GROSS | BOX DIMENSION VOLUME | PCS./MASTER |
| Volume LED | 1 pcs. | - | 1,2 kg 1,6 kg | 180x180x290 mm 0,0094 m³ | 2 |

GENERAL TERMS OF SALES, DELIVERY AND PAYMENT

Valid from 1st April 2017 (replace all previous versions)

The general terms hereinafter apply unless otherwise agreed in writing by seller and buyer.

Prices: Pricing is based on the price list valid at any given time (recommended retail prices).

Lightyears A/S makes reservations for misprints in the price list and reserves the right to make alterations without prior notice.

Terms of delivery:

EU-countries: Below terms of delivery are invariable tied to customer discount - i.e. free delivery results in a lower discount.

A) ex works

B) free delivery on orders exceeding EUR 600 excl. VAT to dealers address. For orders below EUR 600 excl. VAT a fee of EUR 40 will apply. Delivery to areas, which are not connected to the mainland by bridge, the buyer will bear the cost and risk concerning freight from an agreed destination in the mainland to the final destination.

C) free delivery.

Delivery to areas, which are not connected to the mainland by bridge, the buyer will bear the cost and risk concerning freight from an agreed destination in the mainland to the final destination.

Non-EU countries: ex works.

Most models are in stock in Denmark, and as a principal rule, orders are dispatched from the warehouse 2-3 days after Lightyears A/S has received the order and acknowledged it with an order confirmation.

Urgent orders may be executed with dispatch on the same day if the order is received before 12 am. This service will be charged a handling fee of EUR 22. This fee does not include possible costs for courier transport or the like.

Lightyears A/S is not liable for losses related to delayed delivery of goods.

Cancellation/adjustments of orders: If an order is cancelled/adjusted after it has been packed at our external warehouse, we will invoice our expenses amounting to EUR 22.

Terms of payment: Prepayment, if nothing else has been agreed.

If the buyer fails to pay by the date due, or the conditions for the agreed credit are changed considerably, Lightyears A/S is entitled to retain additional deliveries and without further notice change the terms of payment and establish a credit ceiling.

In the event of overdue payment the buyer is liable to pay late payment interests on the overdue amount at a rate of 1,5% per month.

Proprietary rights: Lightyears A/S retains the proprietary rights to the goods that have been sold until the entire purchase sum, including possible interests and fees, has been paid in full.

Transport damages: Claims for transport damages and defects which are visible in the product unpacking, must be submitted to the carrier on receipt of the goods. This can be accomplished by denying reception or receive the goods subject listed on the waybill/receipt. We urge that the reservation must be as specific as possible attached photos of all visible damages. Lightyears A/S has the right to reject all claims in connection with transport damages if the buyer has not made it to the carrier at delivery.

Examination of goods: The buyer must immediately upon receipt examine the goods delivered in order to ensure that they are without defects. If the buyer wants to claim a defect, including quantity divergence, noted at such a control, he must immediately - or at the very latest three days after delivery of the goods - inform Lightyears A/S and state the nature of the defect. The claim cannot be set up at a later time. All other defects must be reported immediately after discovered by the buyer and at the very latest within two years of Lightyears A/S' invoice date.

Claims: If the buyer wants to claim a defect, he must contact Lightyears A/S, Sales Support by sending an e-mail with description of the problem and attach photo documentation. Alternatively, he may call Lightyears A/S, Sales Support in order to discuss the claim procedure. Lightyears A/S reserves the right to freely choose how the claim should be solved. The solution can either be repair, credit note or replacement of the goods (or spare parts).

Defect goods must under no circumstances be sent to Lightyears A/S without preliminary agreement with the Lightyears A/S, Sales Support department.

Return of goods: Generally, Lightyears A/S does not take back goods. Exceptions can be made only according to previous agreement with Lightyears A/S, Sales Support and against a fee of 20% of the invoice value to cover the handling costs. Freight costs are paid by the buyer.

Returned goods must be new and undamaged as well as in original and unbroken packaging. The return delivery must be marked with the correct Lightyears A/S return number.

Customized goods cannot be returned.

Warranty: Lightyears A/S provides a two-year warranty from the invoice date in relation to manufacturing- and material faults. The warranty is valid two years from the dealer's time of sales. This must always be documented through an original sales ticket/receipt.

Lightyears A/S offer no compensation for wear and tear.

Lightyears A/S cannot be held responsible for damages caused by incorrect, inappropriate or careless use of delivered goods.

Transformers, ballasts, light sources and other electronic devices are subject to the warranty terms of the manufacturer in question.

Lightyears A/S does not cover costs related to installation and dismantling, replacement of ballasts/transformers and other similar costs related to electricians and the like.

Environment: Due to the increased demands on Lightyears to be an environmentally friendly company, an environmental charge of EUR 0.20 excl. VAT per kg of delivered products (net) will be introduced from 01.05.2016. This charge will be stated on the invoice.

Resale to third party: The buyer is engaged to solely selling Lightyears A/S' products to clients who are purchasing the products for their own use (private or business end users). Sales to other retail businesses, web shops and others with the aim of reselling in any country is not allowed. Should this occur, we reserve the right to cancel the co-operation with immediate effect.

New retail/www: If buyer wishes to move the point of sale, buy another retail outlet, create a new retail outlet - a physical office or shop - the negotiation and sale of Lightyears products do not follow with this point of sale without prior agreement with Lightyears A/S. Lightyears A/S reserves right to terminate trade if this is not done based on the agreed point of sale.

Disputes: Any legal dispute between Lightyears A/S and the buyer shall be decided in accordance with Danish law at the Aarhus court of law.

Other conditions: Drawings, specifications, product photos and logo belong to Lightyears A/S and must not be transferred to a third party if nothing else has been agreed.

Addresses:

Headquarters/showrooms:

Lightyears A/S (VAT no. 1412 0211) | Balticgade 12C, 1. | 8000 Aarhus C | Denmark
Tel. +45 87 30 12 40 | Mail: info@lightyears.dk | Web: www.lightyears.dk

Republic of Fritz Hansen A/S (VAT no. 1412 0211) | Allerodvej 8 | 3450 Allerod | Denmark
Tel. +45 48 17 23 00 | Mail: salessupport@fritzhansen.com | Web: www.fritzhansen.com

Please use the Partner Portal with your personal log-in.

Warehouse:

Lightyears A/S | c/o EIMSKIP | Osthavnsvej 37, port 9-10 | 8000 Aarhus C | Denmark

Loja / Showroom Porto

Rua da Trindade, 19

4000-541 Porto

Telefone: +351 222 005 733/4

Fax: +351 222 000 803

E-mail: geral@tracoluz.com**Horário da Loja:**

Segunda a Sexta- 9h30 às 19h00

Sábado – 10h30 às 13h

Encerra ao Sábado de tarde e ao Domingo

Shop / Showroom Porto

Rua da Trindade, 19

4000-541 Porto

Telephone: +351 222 005 733/4

Fax: +351 222 000 803

E-mail: geral@tracoluz.com**Opening Hours:**

Monday to Friday - 9h30 to 19h00

Saturday – 10h30 to 13h

Closed Saturday afternoon and on Sunday

Todos os produtos apresentados são de marcas representadas pela Traço de Luz, não sendo nenhum de produção própria.

As imagens apresentadas em catálogo procuram corresponder ao produto existente; no entanto, podem existir pequenas diferenças de cor, forma e estado do apresentado.

All the products presented in this catalogue are from brands represented by Traço de Luz, none of the products is from our own production.

The images presented in this catalogue are similar to the product, however, there might be slight differences in color, shape or form of the presented product.

TRACO
DE LUZ

