

TRACO  
DE LUZ

& tradition

tabela  
2017

[www.tracoluz.com](http://www.tracoluz.com)  
[geral@tracoluz.com](mailto:geral@tracoluz.com)

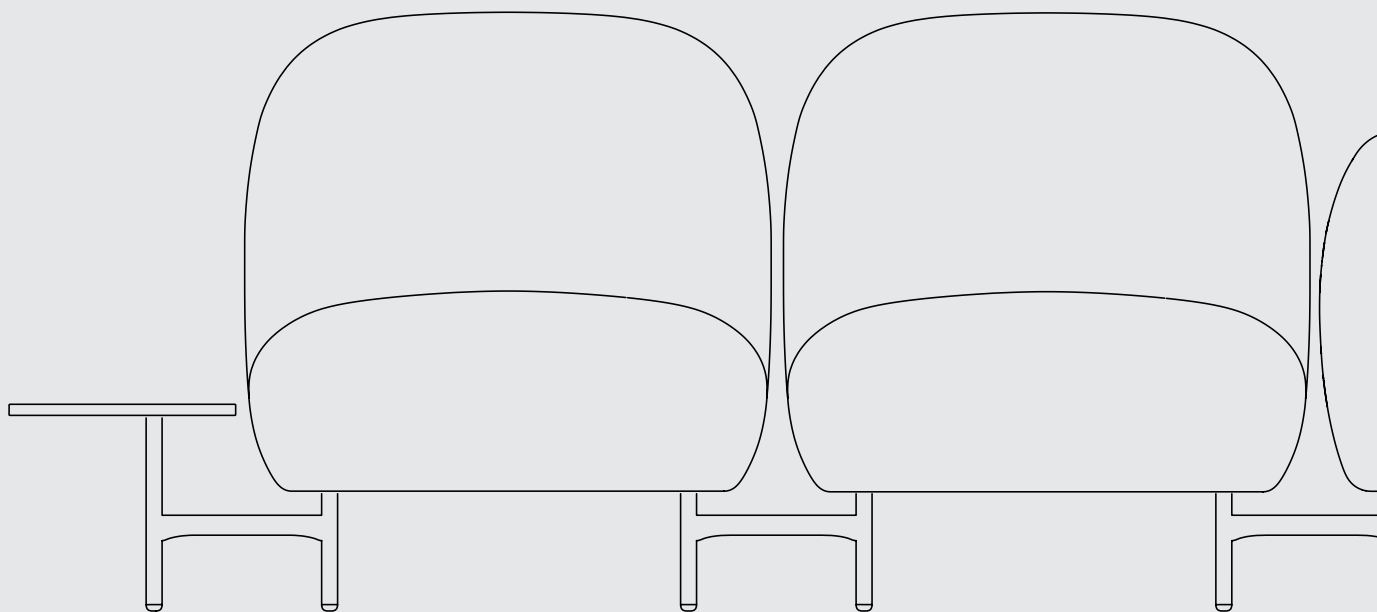
# NEWS

(2017)

BY **&TRADITION**



NEWS PRICE LIST 2017 - VALID FROM JUNE 1ST  
CURRENCY: EURO EX VAT



# INDEX

---

## CHAIRS

**Catch Bar Stool**  
p. 4

JH16



JH17



## LOUNGE AND SOFAS

**Cloud High Back**  
p. 5-6

LN6



LN7



**Fly**  
p. 7

SC12



**Isole**  
p. 8-9

NN1



**Mayor**  
p. 10

AJ6



## ACCESSORIES

**The Moor**  
p. 11

AP5



AP6



AP8



## LIGHTING

**Passepartout**  
p. 12

JH10



JH11



JH12



**Bellevue**  
p. 13

AJ10



AJ11



**Packaging Information**

p. 14

---

# CHAIRS

## CATCH BAR STOOL JH16 & JH17

BY JAIME HAYON  
2017



Item code	Upholstery	Model	Base	Lead time	Weight	PRICE EX. VAT (EUR)
JH	Remix, Jacquard	JH16	Tube	6-8 weeks	11.20 kg	616
		JH17	Tube	6-8 weeks	11.50 kg	638
JH	Rime, Hallingdal, Divina, Divina MD, Divina Melange, Steelcut, Steelcut Trio, Tonus, Tonus Meadow, Hero, Hot, Fiord	JH16	Tube	6-8 weeks	11.20 kg	672
		JH17	Tube	6-8 weeks	11.50 kg	694
JH	Balder, Sunniva, Vidar, Skai Parotega artificial leather, Coline	JH16	Tube	6-8 weeks	11.20 kg	784
		JH17	Tube	6-8 weeks	11.50 kg	806
JH	Coda, Gentle, Pilot, Ria	JH16	Tube	6-8 weeks	11.20 kg	896
		JH17	Tube	6-8 weeks	11.50 kg	918
JH	CA-MO Regina semi-aniline leather	JH16	Tube	6-8 weeks	11.20 kg	1.008
		JH17	Tube	6-8 weeks	11.50 kg	1.030
JH	CA-MO Silk aniline leather	JH16	Tube	6-8 weeks	11.20 kg	1.120
		JH17	Tube	6-8 weeks	11.50 kg	1.142
JH	Nubuck aniline leather	JH16	Tube	6-8 weeks	11.20 kg	1.680
		JH17	Tube	6-8 weeks	11.50 kg	1.703
JH	COM Fabric	JH16	Tube	6-8 weeks	11.20 kg	616
		JH17	Tube	6-8 weeks	11.50 kg	638
JH	COM Leather	JH16	Tube	6-8 weeks	11.20 kg	1.008
		JH17	Tube	6-8 weeks	11.50 kg	1.030

### Base Finish

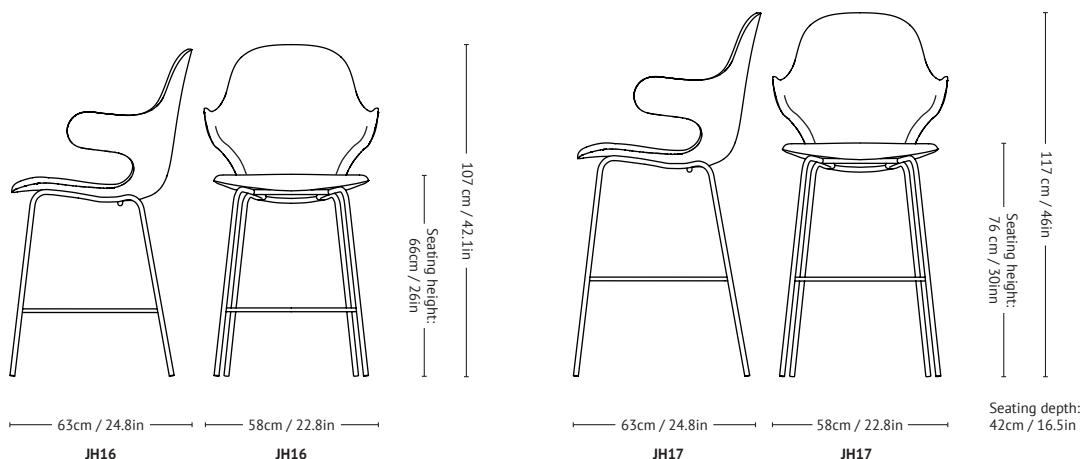
Tube Powder coated black

**Fabric usage:** 1,8 meters based on 140cm roll.

**Leather usage:** 5 square meters.

COM must be approved by &tradition to ensure suitability for upholstery.

**Material:** Molded PU foam and CMHR foam.



## LOUNGE AND SOFAS

# CLOUD HIGH BACK LN6

BY LUCA NICHETTO  
2017



Item code	Upholstery	Model	Base	Lead time	Weight	PRICE EX. VAT (EUR)
LN	Remix, Canvas, Hot Madison, Jacquard	LN6	Warm black or Chrome	6-8 weeks	60.00 kg	3.361
		LN6	Bronzed	6-8 weeks	60.00 kg	3.585
LN	Rime, Hallingdal, Divina, Divina MD, Divina Melange, Steelcut, Steelcut Trio, Tonus, Tonus Meadow, Hero, Hot, Fiord, Maple, Pine	LN6	Warm black or Chrome	6-8 weeks	60.00 kg	3.921
		LN6	Bronzed	6-8 weeks	60.00 kg	4.145
LN	Balder, Sunniva, Vidar, Coline	LN6	Warm black or Chrome	6-8 weeks	60.00 kg	4.481
		LN6	Bronzed	6-8 weeks	60.00 kg	4.705
LN	Spritz, Ombra, Sonar, Pilot, Ria	LN6	Warm black or Chrome	6-8 weeks	60.00 kg	6.722
		LN6	Bronzed	6-8 weeks	60.00 kg	6.946
LN	COM Fabric	LN6	Warm black or Chrome	6-8 weeks	60.00 kg	3.361
		LN6	Bronzed	6-8 weeks	60.00 kg	3.585

### Legs Finish

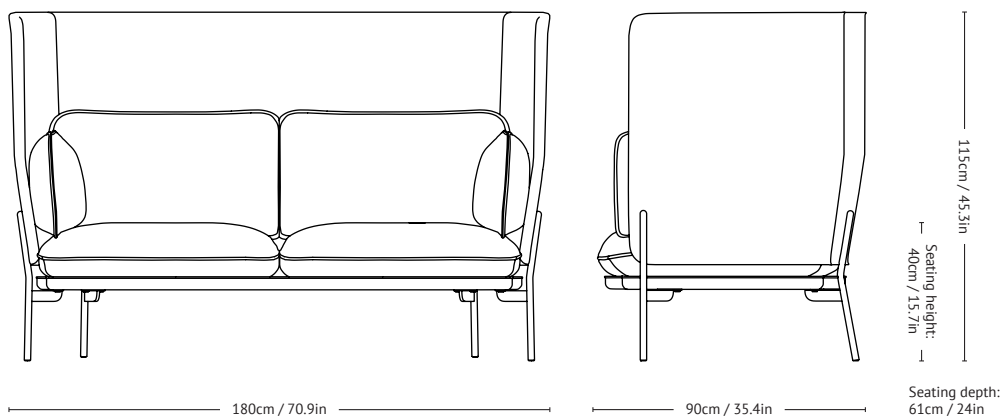
Solid steel tube Powder coated warm black (RAL 8022), chrome or bronzed

**Fabric usage:** 15 meters based on 140cm roll.

COM must be approved by &tradition to ensure suitability for upholstery.

**Material:** Plywood frame. Solid wood & steel base with no-zag springs. CMHR foam, comforell and feather pillows. Solid steel legs. Fabric or upholstery.

Comes with felt glides installed as standard.



## LOUNGE AND SOFAS

# CLOUD HIGH BACK LN7

BY LUCA NICHETTO  
2017



Item code	Upholstery	Model	Base	Lead time	Weight	PRICE EX. VAT (EUR)
LN	Remix, Canvas, Hot Madison, Jacquard	LN7	Warm black or Chrome	6-8 weeks	80.00 kg	<b>3.921</b>
		LN7	Bronzed	6-8 weeks	80.00 kg	<b>4.145</b>
LN	Rime, Hallingdal, Divina, Divina MD, Divina Melange, Steelcut, Steelcut Trio, Tonus, Tonus Meadow, Hero, Hot, Fiord, Maple, Pine	LN7	Warm black or Chrome	6-8 weeks	80.00 kg	<b>4.481</b>
		LN7	Bronzed	6-8 weeks	80.00 kg	<b>4.705</b>
LN	Balder, Sunniva, Vidar, Coline	LN7	Warm black or Chrome	6-8 weeks	80.00 kg	<b>5.378</b>
		LN7	Bronzed	6-8 weeks	80.00 kg	<b>5.602</b>
LN	Spritz, Ombra, Sonar, Pilot, Ria	LN7	Warm black or Chrome	6-8 weeks	80.00 kg	<b>8.403</b>
		LN7	Bronzed	6-8 weeks	80.00 kg	<b>8.627</b>
LN	COM Fabric	LN7	Warm black or Chrome	6-8 weeks	80.00 kg	<b>3.921</b>
		LN7	Bronzed	6-8 weeks	80.00 kg	<b>4.145</b>

### Legs Finish

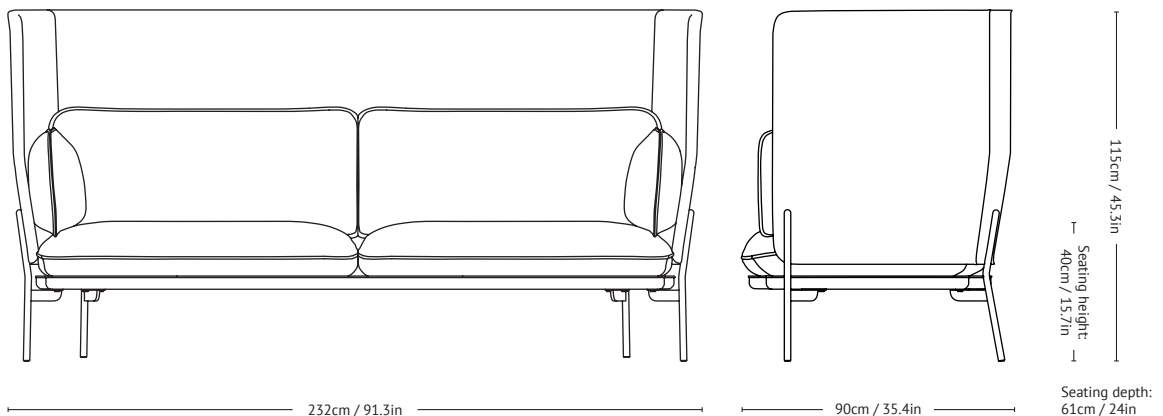
Solid steel tube Powder coated warm black (RAL 8022), chrome or bronzed

**Fabric usage:** 16 meters based on 140cm roll.

COM must be approved by &tradition to ensure suitability for upholstery.

**Material:** Plywood frame. Solid wood & steel base with no-zag springs. CMHR foam, comforell and feather pillows. Solid steel legs. Fabric or upholstery.

Comes with felt glides installed as standard.



# LOUNGE AND SOFAS

## FLY SOFA SC12

BY SPACE COPENHAGEN  
2017



Item code	Product	Model	Lead time	Weight	PRICE EX. VAT (EUR)
65193001	White oiled oak with Hot Madison 094	SC12	Stock item	80.00 kg	3.697
65193002	Smoked oiled oak with Hot Madison 093	SC12	Stock item	80.00 kg	3.697
65193004	Smoked oiled oak with Harald 2 182	SC12	Stock item	80.00 kg	4.369

Item code	Upholstery	Model	Lead time	Weight	PRICE EX. VAT (EUR)
SC	Hot Madison (all colours), Remix, Canvas, Jacquard	SC12	6-8 weeks	80.00 kg	3.921
SC	Rime, Hallingdal, Divina, Divina MD, Divina Melange, Steelcut, Steelcut Trio, Tonus, Tonus Meadow, Hero, Hot, Fiord, Maple, Pine	SC12	6-8 weeks	80.00 kg	4.369
SC	Balder, Sunniva, Vidar, Harald, Coline	SC12	6-8 weeks	80.00 kg	4.593
SC	Spritz, Ombra, Sonar, Pilot, Haakon, Ria	SC12	6-8 weeks	80.00 kg	5.938
SC	COM Fabric	SC12	6-8 weeks	80.00 kg	3.697

Item code	Add on	Lead time	Weight	PRICE EX. VAT (EUR)
65151000-3	Fly high legs - white oiled oak	Stock item	1.50 kg	57
65151100-3	Fly high legs - smoked oiled oak	Stock item	1.50 kg	57

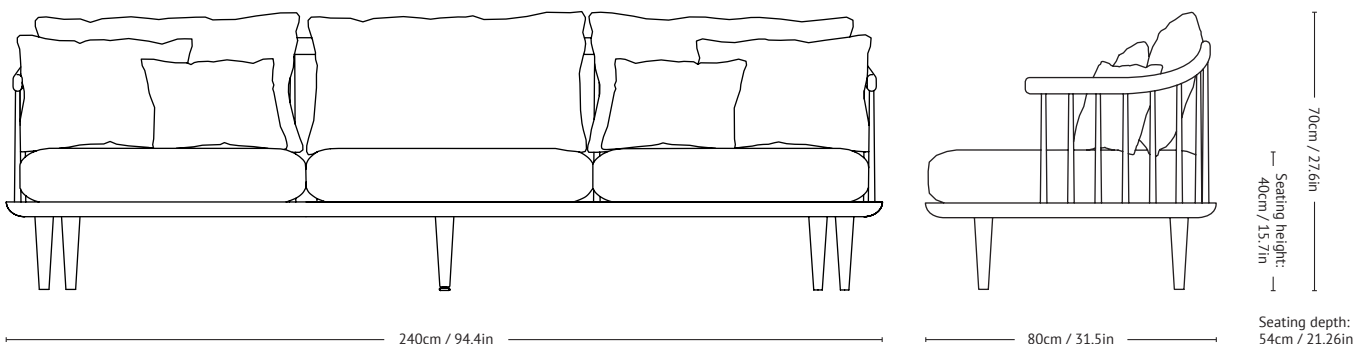
Frame	Finish
Oak	White oiled oak, smoked oiled oak

**Fabric usage:** 8 meters based on 140cm roll.

COM must be approved by &tradition to ensure suitability for upholstery.

**Material:** Oiled oak frame and base. CMHR foam and feather pillows. Fabric upholstery.

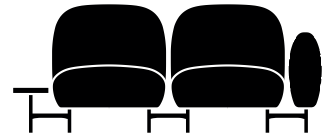
Longer legs providing a seating height of 46cm are available upon request.



# LOUNGE AND SOFAS

## ISOLE NN1

BY NENDO & LUCA NICHETTO  
2017



Item code	Upholstery	Model	Product	Lead time	PRICE EX. VAT (EUR)
NN	Uniform, Uniform Melange	NN1A	Seat	6-8 weeks	504
		NN1B	Back	6-8 weeks	392
		NN1C	Arm	6-8 weeks	280

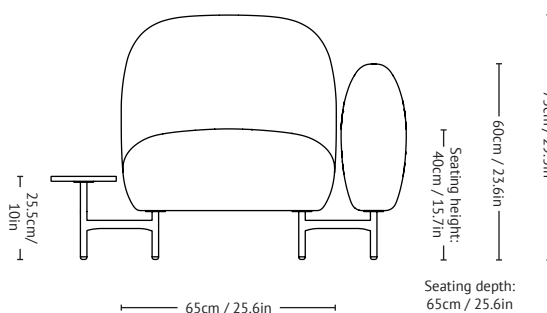
Item code	Table top finishes	Model	Product	Lead time	PRICE EX. VAT (EUR)
NN	Fenix laminate Black	NN1D	Round table	6-8 weeks	224
		NN1E	Rectangular table	6-8 weeks	336
		NN1F	Square Table	6-8 weeks	448

Item code	Base	Model	Lead time	PRICE EX. VAT (EUR)
NN	Mount set for fixating on floor (optional)	NN1G	6-8 weeks	111

Base	Colour
Steel	Black

**Material:** Powder coated steel base, moulded CMHR foam seat, backrest and armrest. Black MDF table tops with nano laminate surface.

Modular system inclusive base. Use model-app for configuration.

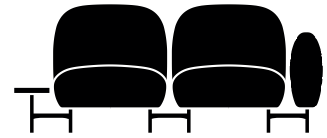




# LOUNGE AND SOFAS

## ISOLE NN1

BY NENDO & LUCA NICHETTO  
2017



### Dimensions

Round Table



Ø: 30cm / 11.8in

Rectangular Table



w: 20cm / 7.9in

D: 65cm / 25.6in

Square Table



w: 65cm / 25.6in

D: 65cm / 25.6in

Seat



w: 65cm / 25.6in

D: 65cm / 25.6in

Back



w: 20cm / 7.9in

D: 67cm / 26.4in

Armrest



w: 20cm / 7.9in

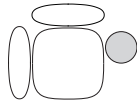
D: 67cm / 26.4in

### Simple configurations

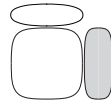


w: 65cm / 25.6in

D: 65cm / 25.6in



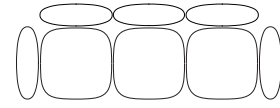
w: 97.5cm / 38.4in



w: 87.5cm / 34.4in



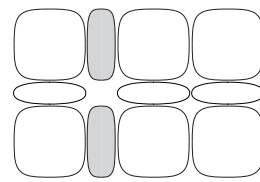
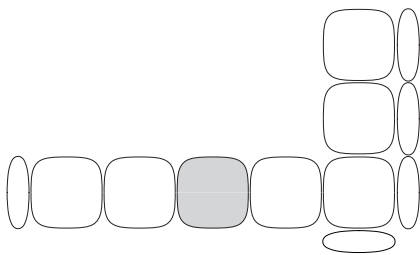
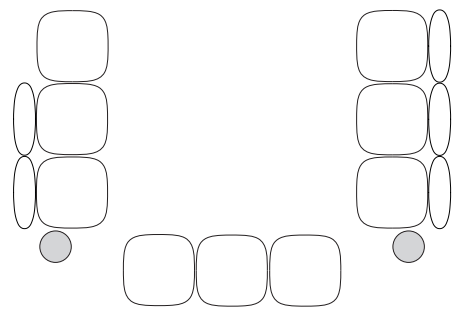
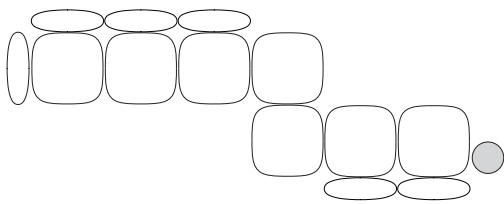
w: 176cm / 69.3in



w: 243cm / 95.7in

D: 88cm / 34.6in

### Configurations



## LOUNGE AND SOFAS

# MAYOR SOFA AJ6

BY ARNE JACOBSEN / FLEMMING LASSEN  
1939



Item Code	Upholstery	Model	Lead time	Weight	PRICE EX. VAT (EUR)
AJ	Hot Madison, Remix, Canvas, Jacquard	AJ6	6-8 Weeks	38 kg	3.217
AJ	Rime, Hallingdal, Divina, Divina MD, Divina Melange, Steelcut, Steelcut Trio, Tonus, Tonus Meadow, Hero, Hot, Fiord, Maple	AJ6	6-8 Weeks	38 kg	3.389
AJ	Balder, Sunniva, Vidar, Skai Parotega artificial leather, Harald, Colline	AJ6	6-8 Weeks	38 kg	3.725
AJ	Spritz, Ombra, Sonar, Pilot, Haakon, Ria	AJ6	6-8 Weeks	38 kg	4.229
AJ	CA-MO Regina semi-aniline leather	AJ6	6-8 Weeks	38 kg	4.478
AJ	CA-MO Silk aniline leather	AJ6	6-8 Weeks	38 kg	5.120
AJ	Nubuck aniline leather	AJ6	6-8 Weeks	38 kg	6.246
AJ	COM fabric	AJ6	6-8 Weeks	38 kg	3.217
AJ	COM leather	AJ6	6-8 Weeks	38 kg	4.481

### Base Finish

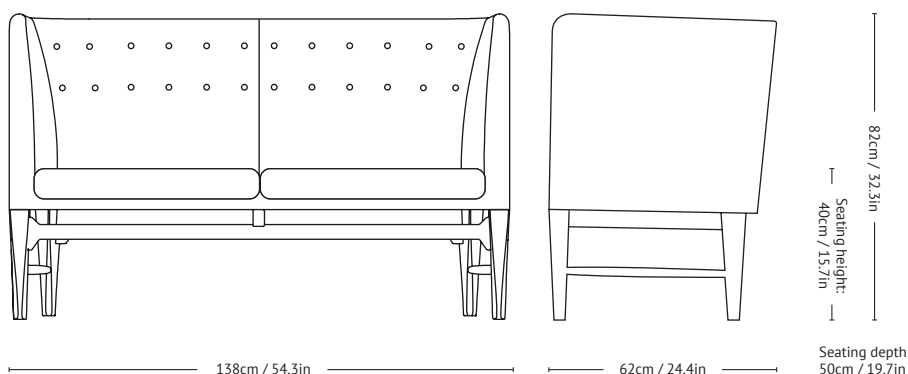
Solid oak White oiled oak, smoked oiled oak, black stained oak

**Fabric usage:** 4.5 meters based on 140cm roll.

**Leather usage:** 10 square meters.

COM must be approved by &tradition to ensure suitability for upholstery.

**Material:** Solid oak base, solid beech frame, elastic belts and CMHR foam. Fabric or leather upholstery. Comes with felt glides installed as standard.



# ACCESSORIES

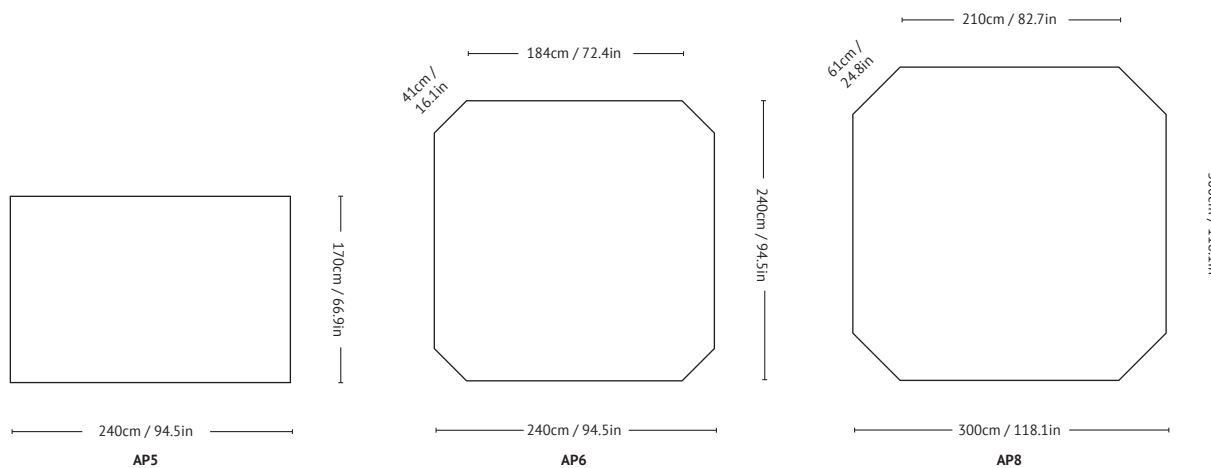
## THE MOOR AP5, AP6 & AP8

BY ALL THE WAY TO PARIS  
2017



Item code	Product	Model	Colli qty.	Lead time	Weight	PRICE EX. VAT (EUR)
20991192	Yellow field 170x240cm	AP5	1 pc	Stock item	25.00 kg	1.156
20991292	Yellow field 240x240cm	AP6	1 pc	Stock item	30.00 kg	1.487
20991594	Red Heather 300x300cm	AP8	1 pc	Stock item	35.00 kg	2.231

**Material:** Handloom-woven from 85% New Zealand wool & 15% viscose.



# PASSEPARTOUT JH10, JH11 & JH12

BY JAIME HAYON  
2017



Item code	Product	Model	Colour	Colli qty.	Lead time	Weight	PRICE EX. VAT (EUR)
83401190	Passepartout Ceiling and Wall lamp	JH10	Gold	1 pc	Stock item	0.65 kg	268
83401290	Passepartout Ceiling and Wall lamp	JH11	Gold	1 pc	Stock item	0.75 kg	268
83401390	Passepartout Ceiling and Wall lamp	JH12	Gold	1 pc	Stock item	0.95 kg	268

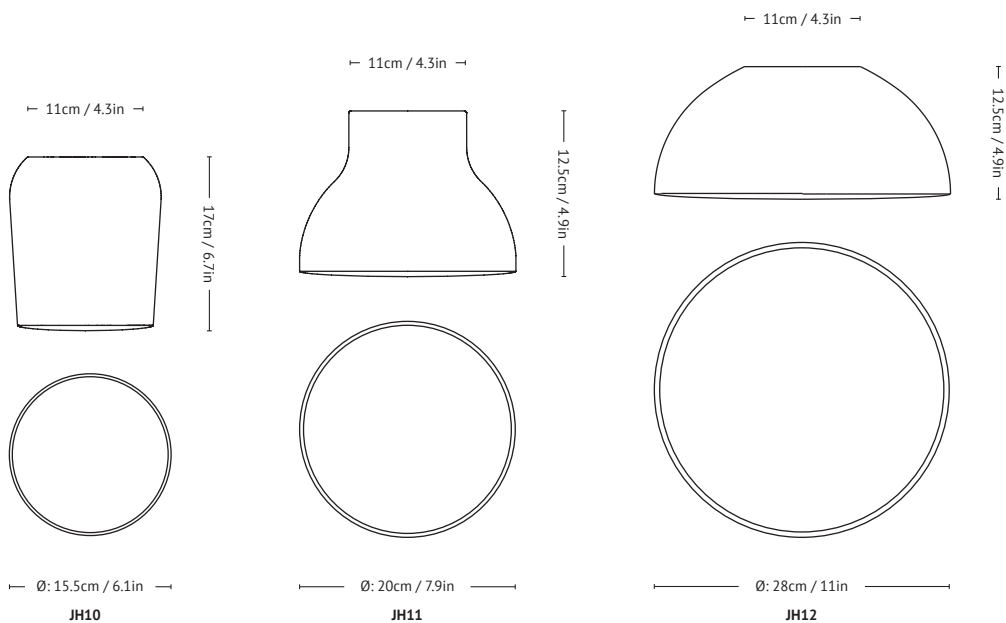
### Technical specifications

11,5 Watt LED  
CRI: >90 (True Color Rendering)  
Color temperature (Kelvin): 2700K  
Trailing edge dimmable driver included

Light output:  
JH10 - 350 Lumen  
JH11 - 520 Lumen  
JH12 - 600 Lumen

**Material:** Lacquered aluminium, polycarbonate, ABS.

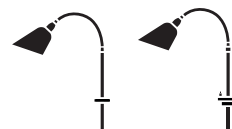
The luminaire is compatible with bulbs of the energy classes: A++ - A. The built-in LEDs cannot be changed in this luminaire.



# LIGHTING

## BELLEVUE AJ10 & AJ11

BY ARNE JACOBSEN  
1929

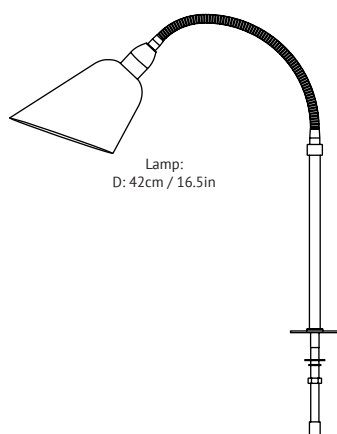


Item code	Product	Model	Colour	Cord	Colli qty.	Lead time	Weight	PRICE EX. VAT (EUR)
20811431	Bellevue Plug in Table Lamp	AJ10	Ivory white	2m black pvc	Min 25 pc	8 weeks	1.00 kg	313
20811491	Bellevue Plug in Table Lamp	AJ10	Grey beige	2m black pvc	Min 25 pc	8 weeks	1.00 kg	313
20811494	Bellevue Plug in Table Lamp	AJ10	Black	2m black pvc	Min 25 pc	8 weeks	1.00 kg	313
20811496	Bellevue Plug in Table Lamp	AJ10	Satin polished brass	2m black pvc	Min 25 pc	8 weeks	1.00 kg	448
20811531	Bellevue Plug in Table Lamp w. switch	AJ11	Ivory white	2m black pvc	Min 25 pc	8 weeks	1.10 kg	336
20811591	Bellevue Plug in Table Lamp w. switch	AJ11	Grey beige	2m black pvc	Min 25 pc	8 weeks	1.10 kg	336
20811594	Bellevue Plug in Table Lamp w. switch	AJ11	Black	2m black pvc	Min 25 pc	8 weeks	1.10 kg	336
20811596	Bellevue Plug in Table Lamp w. switch	AJ11	Satin polished brass	2m black pvc	Min 25 pc	8 weeks	1.10 kg	470

### Technical specifications

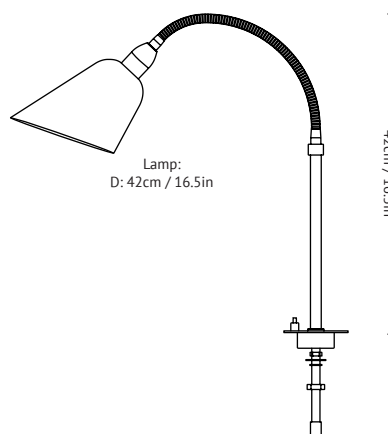
E14 max 40 Watt

**Material:** Lacquered steel & brass. The luminaire is compatible with bulbs of the energy classes: A++ - E. Bulb is not included.



Base: Ø: 7cm / 2.83in

AJ10



Base: Ø: 9.5cm / 3.8in

AJ11

## PRODUCT INFORMATION

---

## PACKAGING INFORMATION

Product	Information	Height cm	Width cm	Length cm	Weight	Colli qty.
Catch Bar Stool	JH16	112	61	61	12.70 kg	1 pc
Catch Bar Stool	JH17	122	61	61	13.00 kg	1 pc
Cloud High Back	LN6	120	180	90	95.00 kg	1 pc
Cloud High Back	LN7	120	230	90	115.00 kg	1 pc
Fly Sofa	SC12	50.5	240.5	84.5	86.00 kg	1 pc
The Moor	AP5	180	30	30	27.50 kg	1 pc
The Moor	AP6	250	30	30	33.15 kg	1 pc
The Moor	AP8	310	30	30	38.65 kg	1 pc
Passepartout	JH10 - Shade	23	18.5	18	0.65 kg	1 pc
Passepartout	JH11 - Shade	22	24.5	24	0.75 kg	1 pc
Passepartout	JH10 & JH11 - LED Module	8.4	11.3	11.3	0.25 kg	1 pc
Passepartout	JH12 - Shade	30	30.5	30	0.95 kg	1 pc
Passepartout	JH12 - LED Module	8.4	11.3	11.3	0.25 kg	1 pc

**Loja / Showroom Porto**

Rua da Trindade, 19  
4000-541 Porto

Telefone: +351 222 005 733/4

Fax: +351 222 000 803

E-mail: [geral@tracoluz.com](mailto:geral@tracoluz.com)

**Horário da Loja:**

Segunda a Sexta- 9h30 às 19h00

Sábado – 10h30 às 13h

Encerra ao Sábado de tarde e ao Domingo

**Shop / Showroom Porto**

Rua da Trindade, 19  
4000-541 Porto

Telephone: +351 222 005 733/4

Fax: +351 222 000 803

E-mail: [geral@tracoluz.com](mailto:geral@tracoluz.com)

**Opening Hours:**

Monday to Friday - 9h30 to 19h00

Saturday – 10h30 to 13h

Closed Saturday afternoon and on Sunday

Todos os produtos apresentados são de marcas representadas pela Traço de Luz, não sendo nenhum de produção própria.

As imagens apresentadas em catálogo procuram corresponder ao produto existente; no entanto, podem existir pequenas diferenças de cor, forma e estado do apresentado.

---

All the products presented in this catalogue are from brands represented by Traço de Luz, none of the products is from our own production.

The images presented in this catalogue are similar to the product; however, there might be slight differences in color, shape or form of the presented product.

TRACO  
DE LUZ

