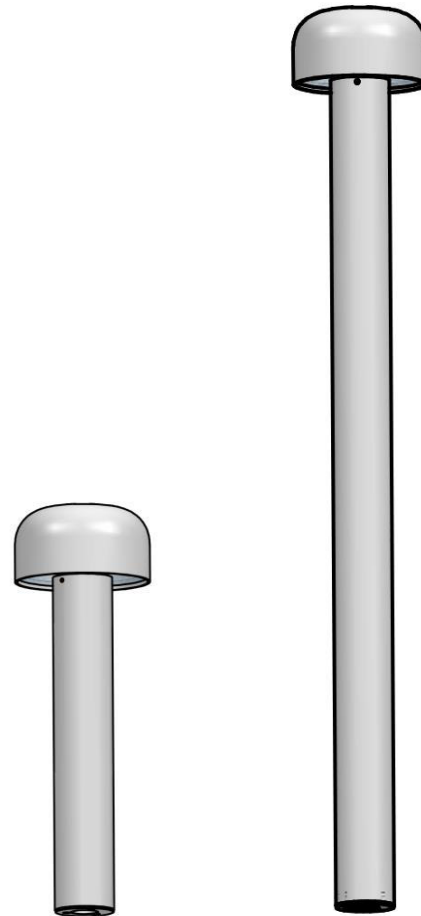
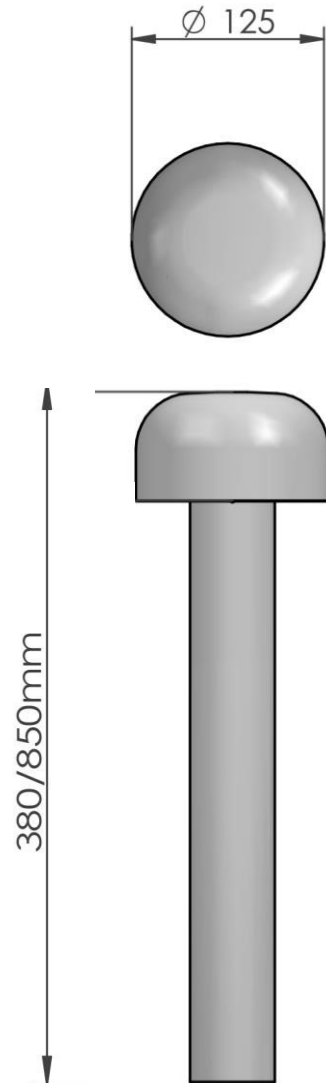


# BELLHOP

DESIGNED BY BARBER OSGERBY

BOLLARD



## **MID POWER LED**

*Total power 6W*

*100/240V*

*Integrated Power supply unit*

*CLASS OF INSULATION: I*

*Protection rating: IP65*

*557 lm output @2700K*

*580 lm output @3000K*

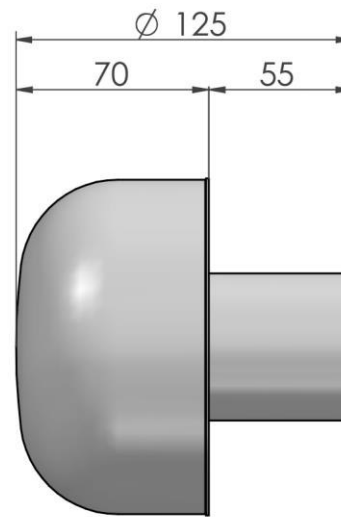
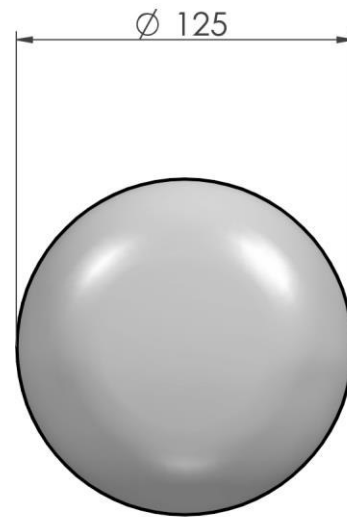
*619 lm output @4000K*

*ongoing tests-provisional datasheet*

# BELLHOP

DESIGNED BY BARBER OSGERBY

WALL



## MID POWER LED

Total power 6W

100/240V

Integrated Power supply unit

CLASS OF INSULATION: I

Protection rating: IP65

557 lm output @2700K

580 lm output @3000K

619 lm output @4000K



AISI 316L

ongoing tests-provisional datasheet

1. white

6. grey

3. anthracite

4. black

18. deep brown

0. Inox

# BELLHOP POLE

---

DESIGNED BY BARBER OSGERBY



## *MID POWER LED*

*Total power 36W*

*220/240V*

*Integrated Power supply unit*

*CLASS OF INSULATION: II*

*Protection rating: IP65*

*1300 lm output @2700K*

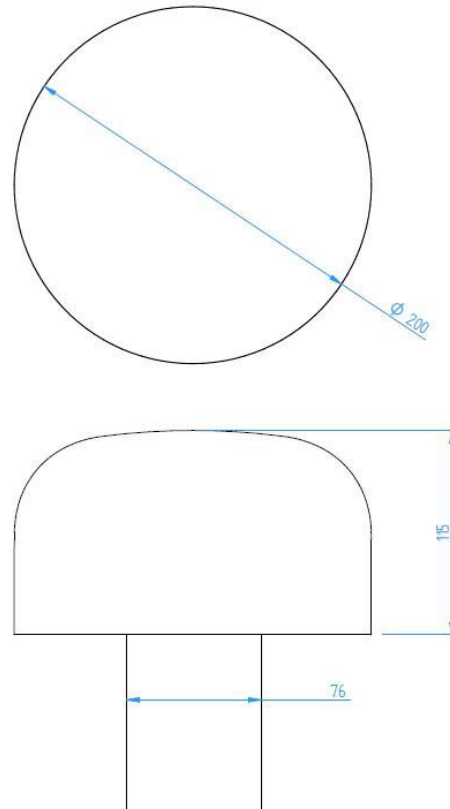
*1352 lm output @3000K*

*1406 lm output @4000K*

*ongoing tests-provisional datasheet*

---

HEAD h 115 mm diam. 200 mm  
POLE h 3000 mm d.76 mm



AVAILABLE COLOURS:



6. grey



3. anthracite



18. deep brown



*OPAL DIFFUSER*