

Lewit m
Technical information

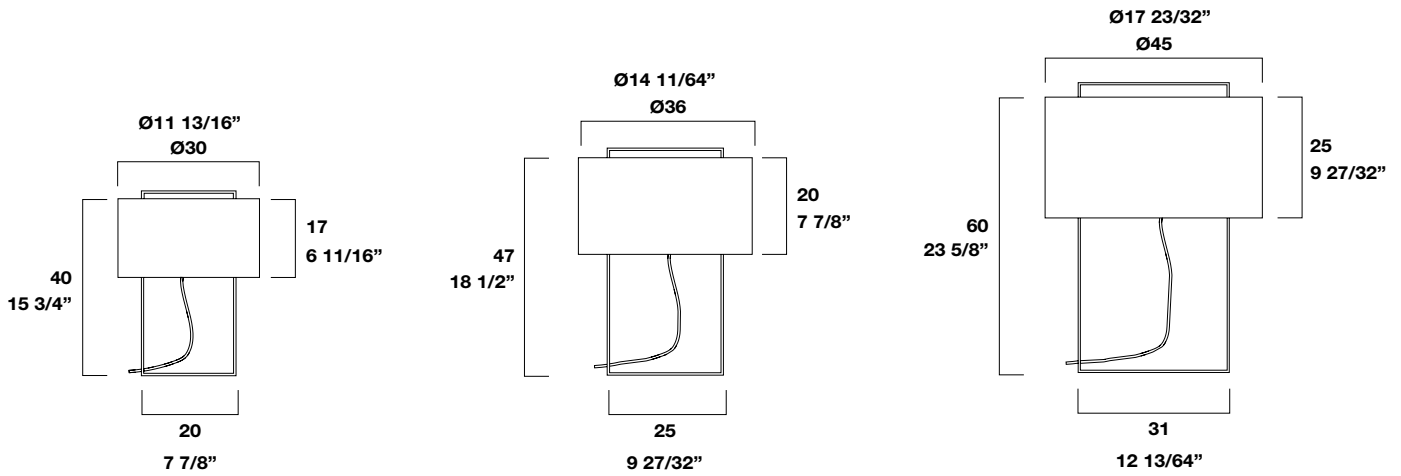


Table giving ambient light. Cylindrical shade in black or white chintz fabric and new shades with fabrics of prestigious Kvadrat brand: coral, grey, green. Upper diffuser in perforated metal sheet enamelled white. Metal structure in 5x5 mm. square bar, enamelled black or white. Switching by means of on/off switch located in the electrical cable for the Lewit m40 version, and in the lamp-holder for the Lewit m47 and Lewit m60 versions.

Design by Jordi Veciana

Dimensions cm / inches



Lewit m 40

Structure

457502500 White

457504700 Black

Shade

811682500 White

811684700 Black

811684500 Grey

811688000 Coral

811688500 Green

Lamp

E27 LED Bulb Máx. 6W



E27 Eco. Hal. Máx 42W



Lewit m 47

Structure

448602500 White

448604700 Black

Shade

810282500 White

810284700 Black

810284500 Grey

810288000 Coral

810288500 Green

Lamp

E27 LED Bulb Máx. 14W



E27 Eco. Hal. Máx 70W



Lewit m 60

Structure

448702500 White

448704700 Black

Shade

810382500 White

810384700 Black

810384500 Grey

810388000 Coral

810388500 Green

Lamp

E27 LED Bulb Máx. 14W



E27 Eco. Hal. Máx 70W



metalarteTM
 lightstyle

GRUPO LUXIONA
 Paseo de la Ribera, 115
 08420 Canovelles
 Barcelona, Spain

T +34 93 846 69 09
 F +34 93 846 57 09

metalarte@metalarte.com
 www.metalarte.com
 www.luxiona.com